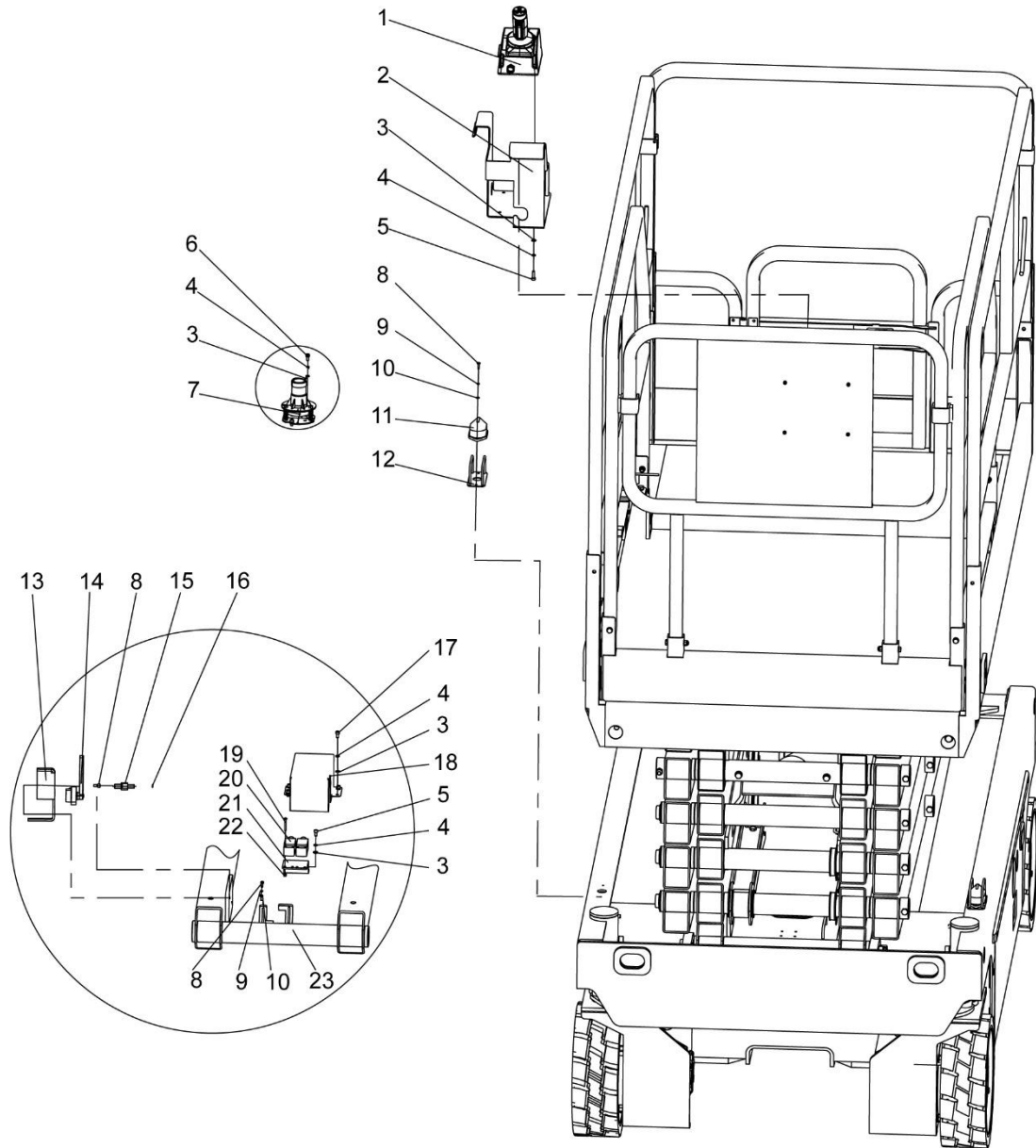


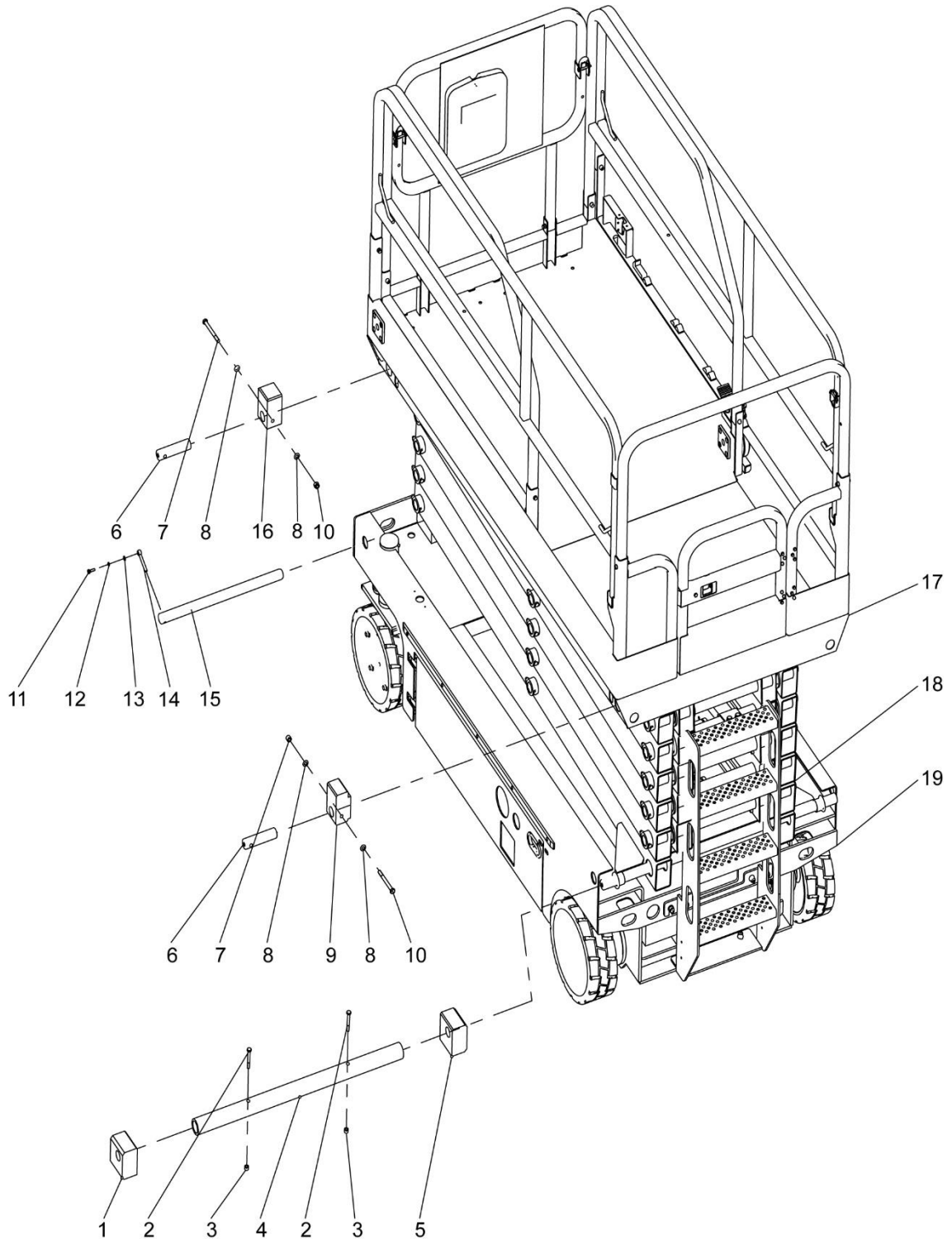
## ZS4555/4045/3246/2646/2632/2032/ZS1932/ZS1930 Series Accessory Installation



## ZS4555/4045/3246/2646/2632/2032/ZS1932/ZS1930series Accessory Installation

NO.	Material No.	Item and Spec	Units	Remark
1	1020104278	Platform control assembly	1	
2	00775606300410000	Platform control box	1	
3	1040300051	Washer 6	13	GB/T97.1-2002
4	1040300062	Washer 6	13	GB/T93-1987
5	1040100055	Screw M6×20-8.8	6	GB/T70.1-2000
6	1040000096	Bolt M6×12-8.8	3	GB/T5783-2000
7	1021404307	Inclination switch	1	
8	1040100618	Screw M4×16-8.8	10	GB/T818-2000
9	1040300044	Washer 4	8	GB/T93-1987
10	1040301697	Washer 4	8	GB/T97.1-2002
11	1029906635	LED Strobe light	2	
12	1029906206	Shield	2	
13	00775706320601010	Installation bracket	1	
	00775306320601020	Installation bracket (ZS1932/ZS1930 series)	1	
14	1021404319	Angle sensor	1	
15	00775706320601020	Screw	1	
16	1040300067	Washer10	1	GB/T93-1987
17	1040100127	Screw M6×12-8.8	4	GB/T70.1-2000
18	00775706300201020	Limit guard	1	
	00775306320201020	Limit guard (ZS1932/ZS1930 series)	1	
19	1040102716	Screw M4×35	4	GB/T70.1-2000
20	1020520944	Limit switch	2	
21	00775706300201010	Limit bracket	1	
	00775306320201010	Limit bracket (ZS1932/ZS1930 series)	1	
22	1040201605	Locknut M4-8	4	GB/T889.1-2000
23	00775600000001030	Limit block	2	
	007753000000011070	Limit block (ZS1932/ZS1930 series)	2	

## ZS4045 Series Pin Installation

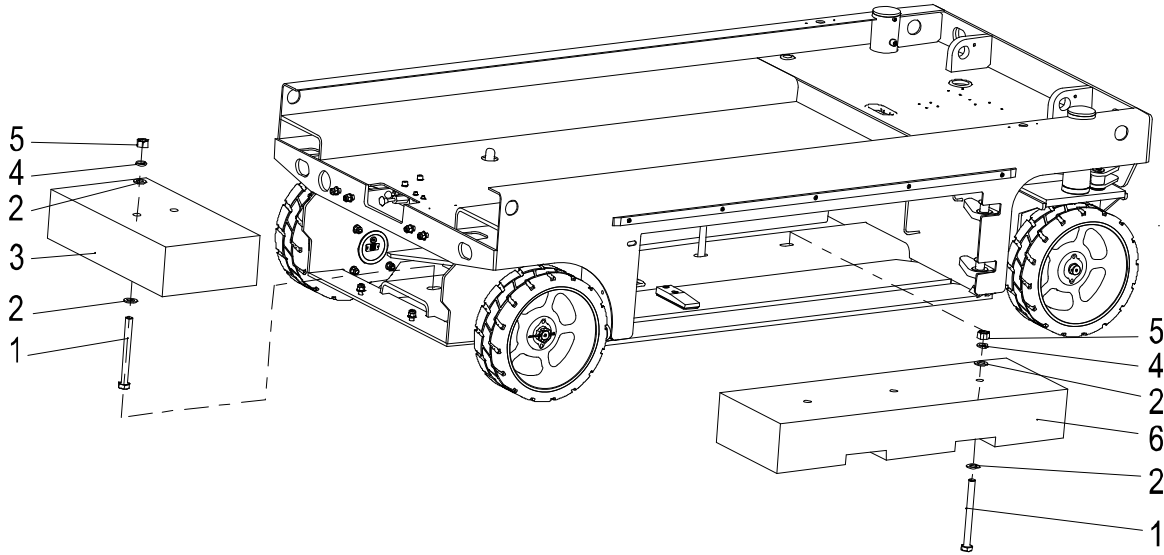


## ZS4045 Series Pin Installation

NO.	Material No.	Item and Spec	Units	Remark
1	0077570000001040	Lower sliding block I	1	
2	1040000025	Bolt M10×80-8.8	2	GB/T5783-2000
3	1040200504	Nut M10-8	2	GB/T889.1-2000
4	0077560000001040	Lower sliding axle	1	
5	0077570000001050	Lower sliding block II	1	
6	0077560000001070	Upper stationary axle	4	
7	1040000807	Bolt M12×110-8.8	4	GB/T5782-2000
8	1040300526	Washer 12	8	GB/T97.1-2002
9	0077570000001060	Upper sliding block	2	
10	1040200507	Nut M12-8	4	GB/T889.1-2000
11	1040000288	Bolt M8×25-8.8	1	GB/T5783-2000
12	1040300063	Washer 8	1	GB/T93-1987
13	1040300066	Washer 8	1	GB/T97.1-2002
14	0077560000001050	Articulated pin	1	
15	0077560000001080	Lower stationary axle	1	
16	0077570000001070	Upper sliding block	2	
17	0077560010000000	Work platform	1	
18	0077560031000000	Scissor arm	1	
19	0077560280000000	Chassis(ZS4045HD)	1	
	0077560281000000	Chassis(ZS4045DC)	1	
	0077560282000000	Chassis(ZS4045HD-Li)	1	
	0077560283000000	Chassis(ZS4045DC-Li)	1	
	0077560284000000	Chassis(ZS4045HA-Li)	1	
	0077560285000000	Chassis(ZS4045AC-Li)	1	
	0077560286000000	Chassis(ZS4045HA)	1	
	0077560287000000	Chassis(ZS4045AC)	1	



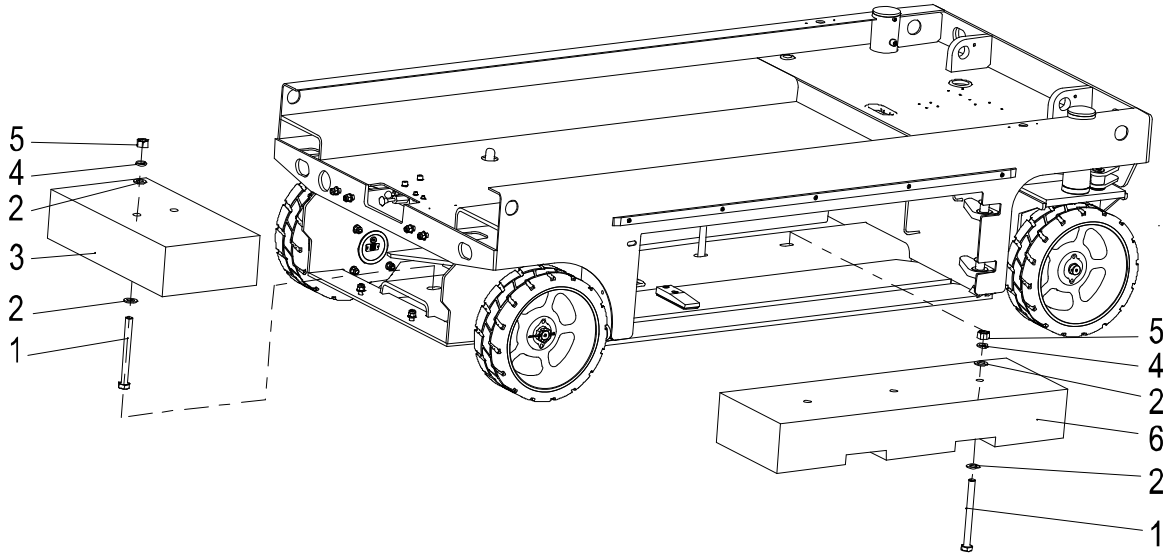
## ZS4045 Series Chassis Counterweight



**ZS4045 Series Chassis Counterweight**

<b>NO.</b>	<b>Material No.</b>	<b>Item and Spec</b>	<b>Units</b>	<b>Remark</b>
1	1040000202	Bolt M20×200-8.8	5	GB/T5783-2000
2	1040300106	Washer 20	10	GB/T97.1-2002
3	00775602800001260	Steel CTW II	1	
4	1040300038	Washer 20	5	GB/T93-1987
5	1040200097	Nut M20-8	5	GB/T6170-2000
6	00775602800001250	Steel CTW I	1	

## ZS4045 Series Chassis Counterweight

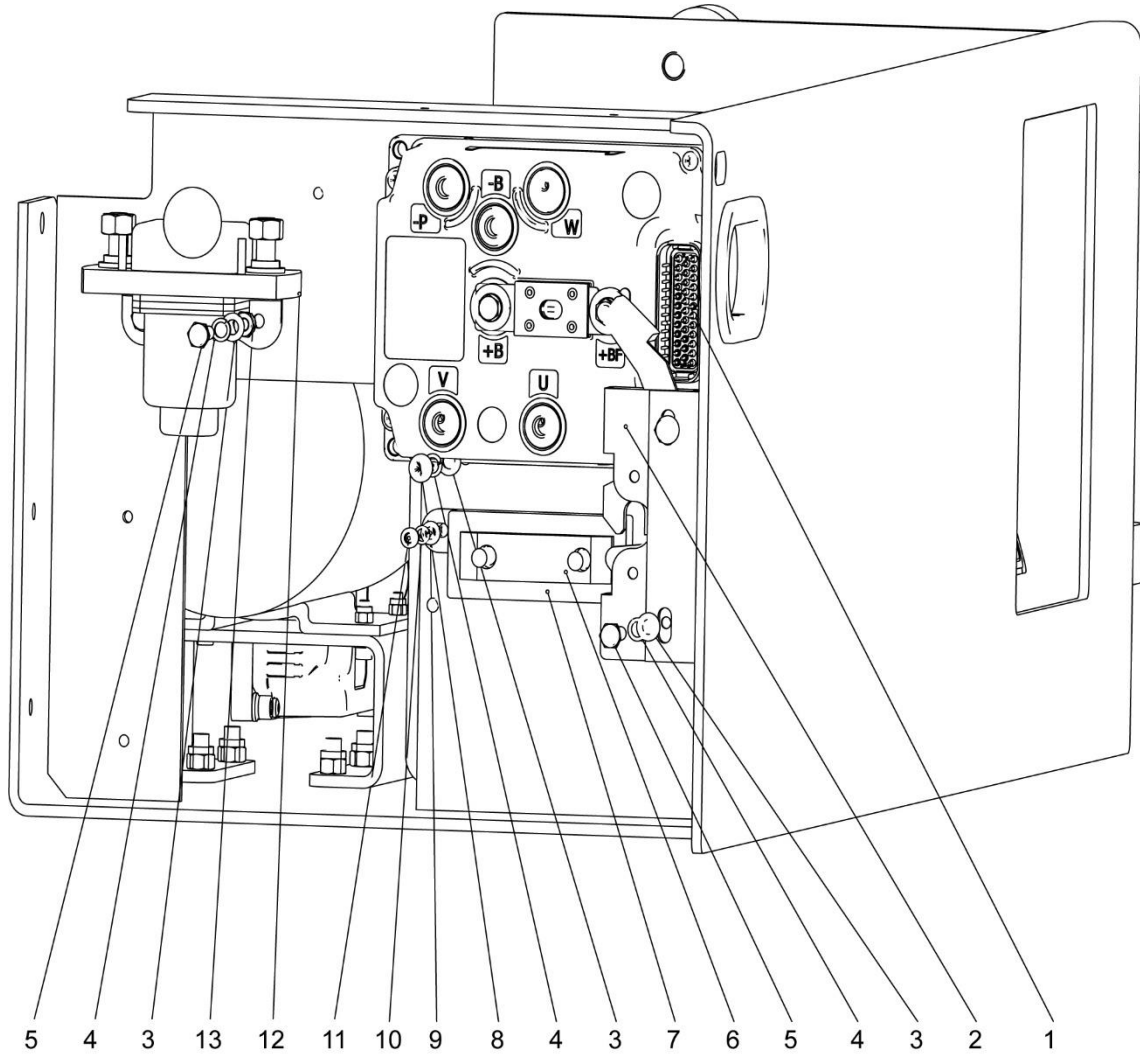


**ZS4045 Series Chassis Counterweight**

<b>NO.</b>	<b>Material No.</b>	<b>Item and Spec</b>	<b>Units</b>	<b>Remark</b>
1	1040000202	Bolt M20×200-8.8	5	GB/T5783-2000
2	1040300106	Washer 20	10	GB/T97.1-2002
3	00775602800001260	Steel CTW II	1	
4	1040300038	Washer 20	5	GB/T93-1987
5	1040200097	Nut M20-8	5	GB/T6170-2000
6	00775602800001250	Steel CTW I	1	

## ZS4555/ZS4045/ZS3246/ZS2646AC(HA) Series Hydraulic Tray 2

CHASSIS

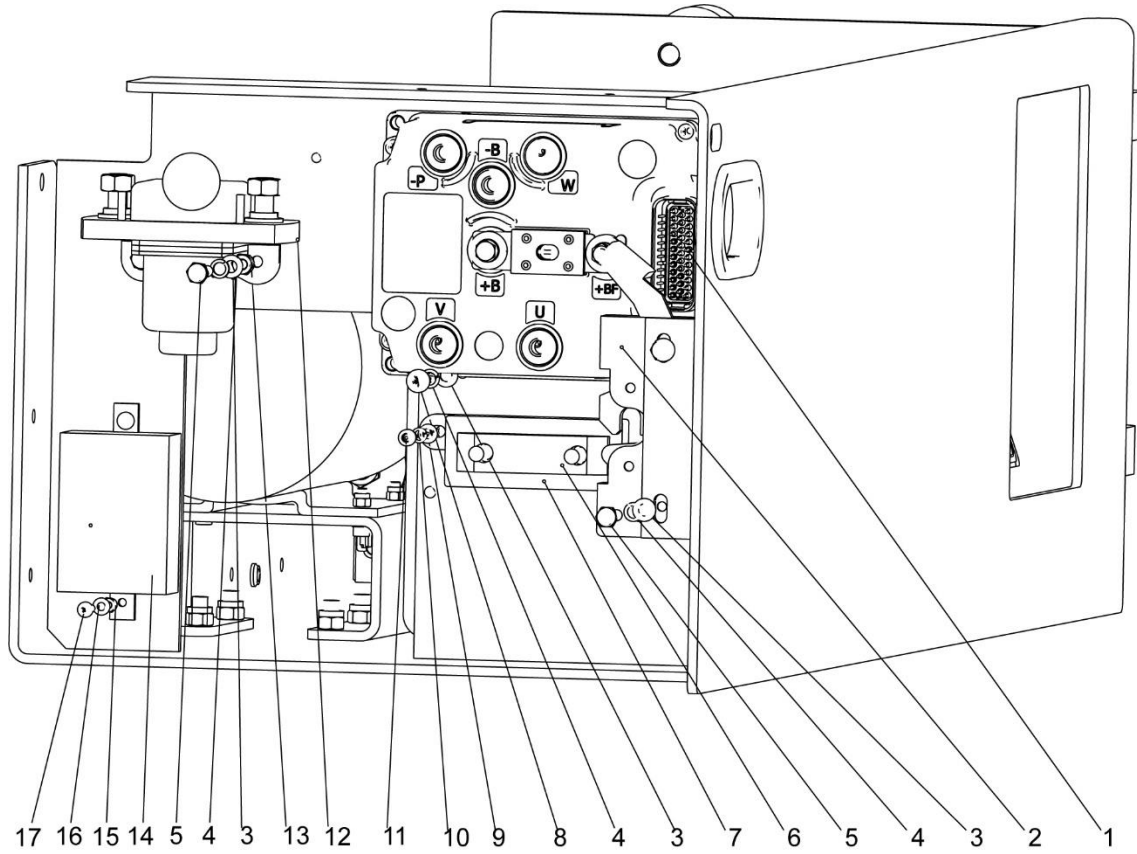


## ZS4555/ZS4045/ZS3246/ZS2646AC(HA) Series Hydraulic Tray 2

NO.	Material No.	Item and Spec	Units	Remark
1	1020104201	Motor driver	1	
2	1109900765	Hydraulic door lock	1	1109900765
3	1040300051	Washer 6-200HV	8	GB/T97.1-2002
4	1040300062	Washer 6	8	GB/T93-1987
5	1040000076	Bolt M6×25-8.8	2	GB/T5783-2000
6	1020604247	Flat fuse	1	
7	1020604246	Fuse holder	1	
8	1040100620	Screw M6×16	4	GB/T818-2000
9	1040300048	Washer 5-200HV	6	GB/T97.1-2002
10	1040300060	Washer 5	2	GB/T93-1987
11	1040102341	Screw M5×12-8.8	2	GB/T70.1-2000
12	1020304604	Contacto	1	
13	1040200506	Nut M6-8	2	GB/T889.1-2000

## ZS4555/ZS4045/ZS3246/ZS2646DC Series Hydraulic Tray 2

CHASSIS



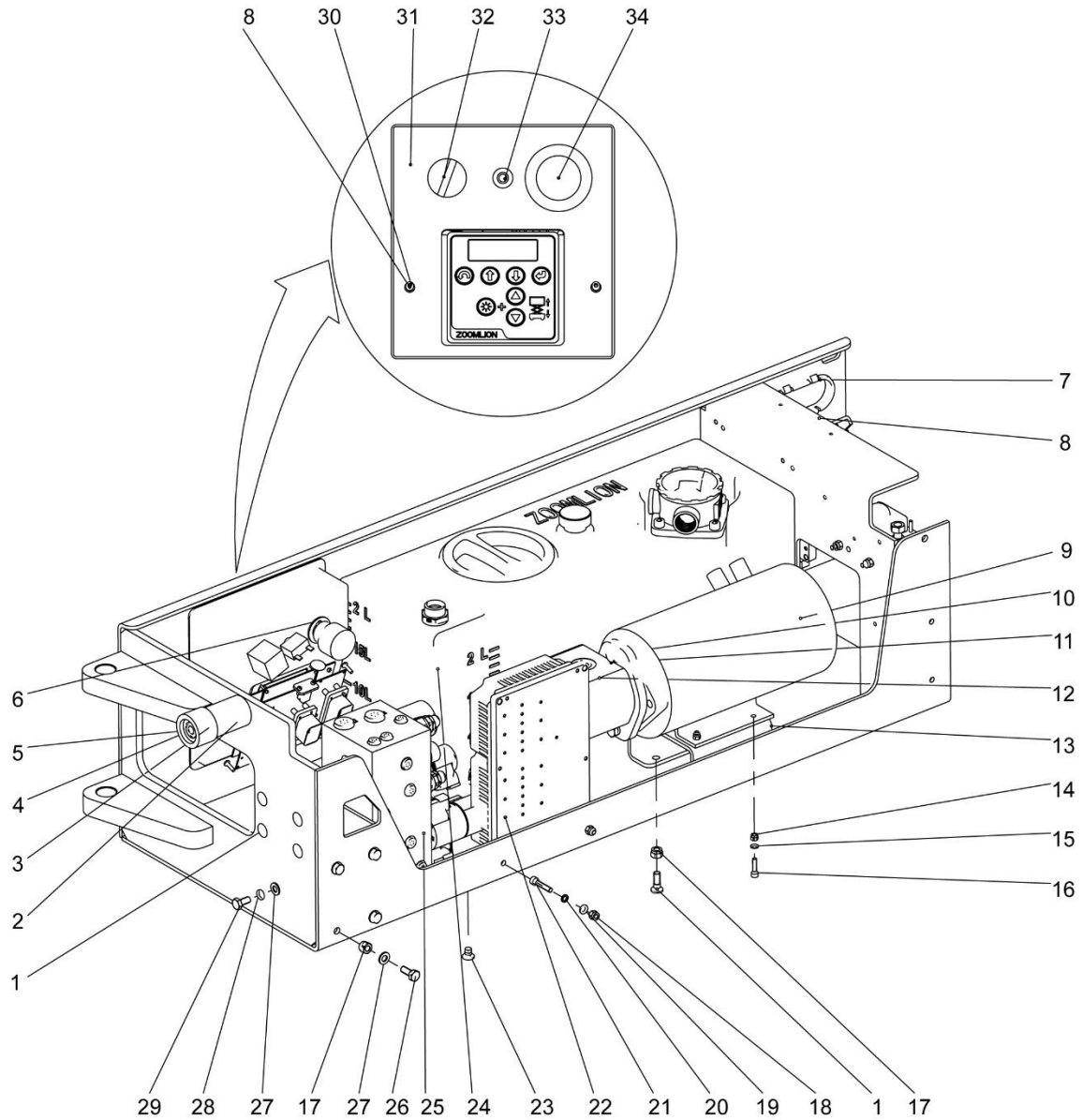


## ZS4555/ZS4045/ZS3246/ZS2646DC Series Hydraulic Tray 2

NO.	Material No.	Item and Spec	Units	Remark
1	1020005175	Motor driver	1	
2	1109900765	Hydraulic door lock	1	1109900765
3	1040300051	Washer 6-200HV	8	GB/T97.1-2002
4	1040300062	Washer 6	8	GB/T93-1987
5	1040000076	Bolt M6×25-8.8	2	GB/T5783-2000
6	1020604247	Flat fuse	1	
7	1020604246	Fuse holder	1	
8	1040100620	Screw M6×16	4	GB/T818-2000
9	1040300048	Washer 5-200HV	6	GB/T97.1-2002
10	1040300060	Washer 5	2	GB/T93-1987
11	1040102341	Screw M5×12-8.8	2	GB/T70.1-2000
12	1020304604	Contacto	1	
13	1040200506	Nut M6-8	2	GB/T889.1-2000
14	1020605226	Follow current protector	1	
15	1040201605	Locknut M4-8	2	GB/T889.1-2000
16	1040301697	Washer 4-160HV	2	GB/T97.1-2002
17	1040100618	Screw M4×16-8.8	2	GB/T818-2000

### ZS4555/ZS4045/ZS3246AC Series Hydraulic Tray 1

CHASSIS

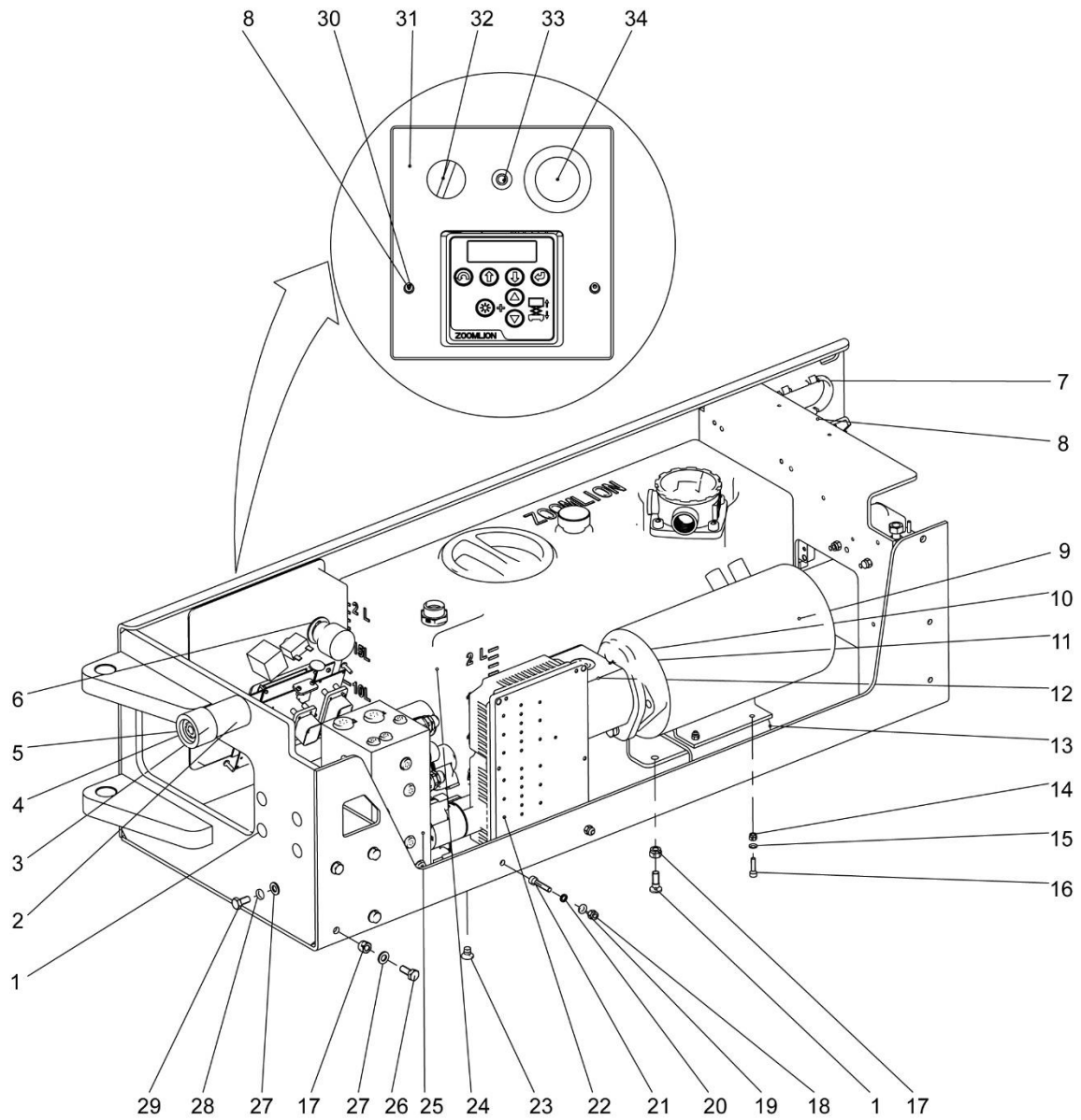


## ZS4555/ZS4045/ZS3246AC Series Hydraulic Tray 1

NO.	Material No.	Item and Spec	Units	Remark
1	1040102356	Screw M8×25-8.8	8	GB/T70.3-2000
2	00775602800601010	Limited post	1	
3	00775602800601030	Cushion rubber	1	
4	1040100519	Screw M12×80-8.8	1	GB/T70.1-2000
5	1040300054	Washer 12	1	GB/T93-1987
6	00775606300201030	Key switch gasket	1	
7	00775602801601040	Protecting bush II	1	
8	00775702870210000	Hydraulic Tray box (ZS4555AC)	1	
	00775602860210000	Hydraulic Tray box (ZS4045/3246AC)	1	
9	1020005472	Hydraulic pump drive motor 24V,3.3KW	1	
10	1040300067	Washer 10	2	GB/T93-1987
11	1040004607	Bolt3/8-24UNF-1-10	2	ASME B18.2.1-2010
12	1010001904	Gear pump 5cc	1	5cc-PGP511A0050 AA1H2ND4D3B1B1
13	00775602800601020	Motor support	1	
14	1040200867	Nut M5	4	GB/T889.1-2000
15	1040300048	Washer 5-200HV	6	GB/T97.1-2002

## ZS4555/ZS4045/ZS3246AC Series Hydraulic Tray 1

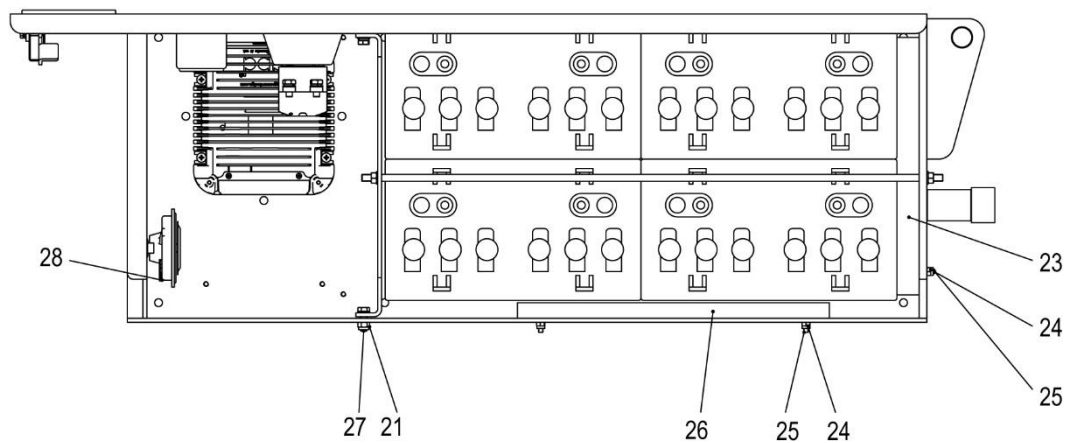
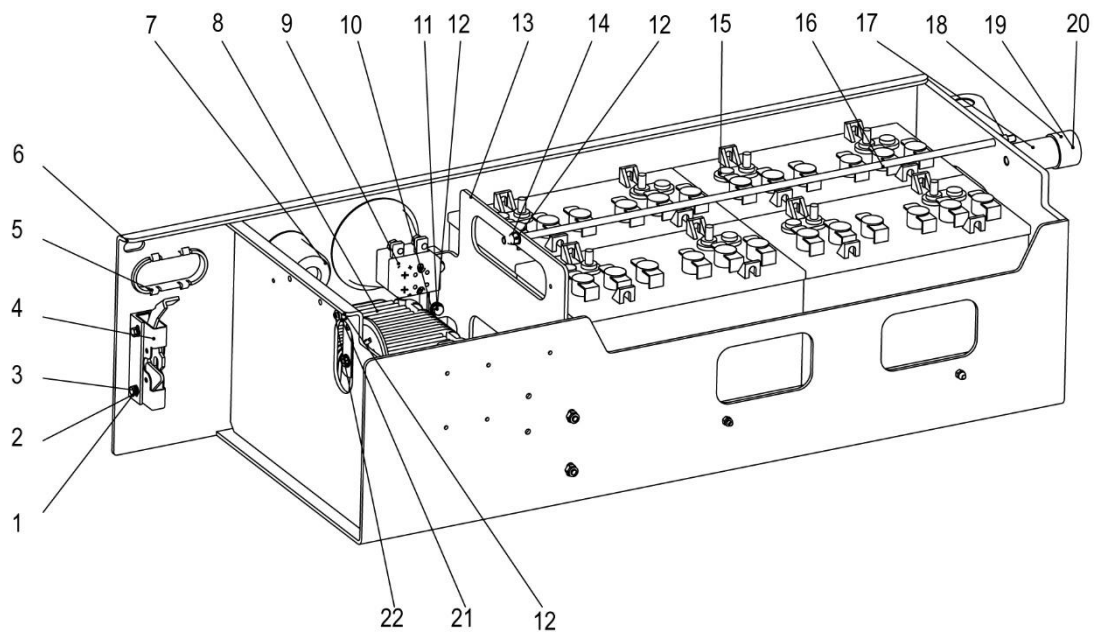
CHASSIS



## ZS4555/ZS4045/ZS3246AC Series Hydraulic Tray 1

NO.	Material No.	Item and Spec	Units	Remark
16	1040100378	Screw M5×20-8.8	4	GB/T70.1-2000
17	1040200503	Nut M8-8	8	GB/T889.1-2000
18	1040200506	Nut M6-8	2	GB/T889.1-2000
19	1040300051	Washer 6-200HV	2	GB/T97.1-2002
20	1040300062	Washer 6	1	GB/T93-1987
21	1040100237	Screw M6×30-8.8	2	GB/T70.1-2000
22	1020104319	Motor driver	1	
23	1040101606	Screw M8×12-8.8	4	GB/T70.3-2000
24	1011300151	Tank	1	
25	1010306187	Control valve (ZS4555/4045/3246AC)	1	
	1010306289	Control valve (ZS4555/4045/3246AC-Li)	1	
26	1040000267	Bolt M8×20-8.	6	GB/T5783-2000
27	1040300066	Washer 8-200HV	8	GB/T97.1-2002
28	1040300063	Washer 8	4	GB/T93-1987
29	1040004517	Bolt M8×16-8.8	4	GB/T5783-2000
30	1029804041	Screw M4×25-4.8	2	GB/T70.1-2000
31	1020104088	Ground control assembly	1	
32	1020521389	Key switch	1	
33	1020304979	Breaker	1	
34	1020502039	Emergency stop button	1	

## ZS4555/4045/3246HD Battery Tray

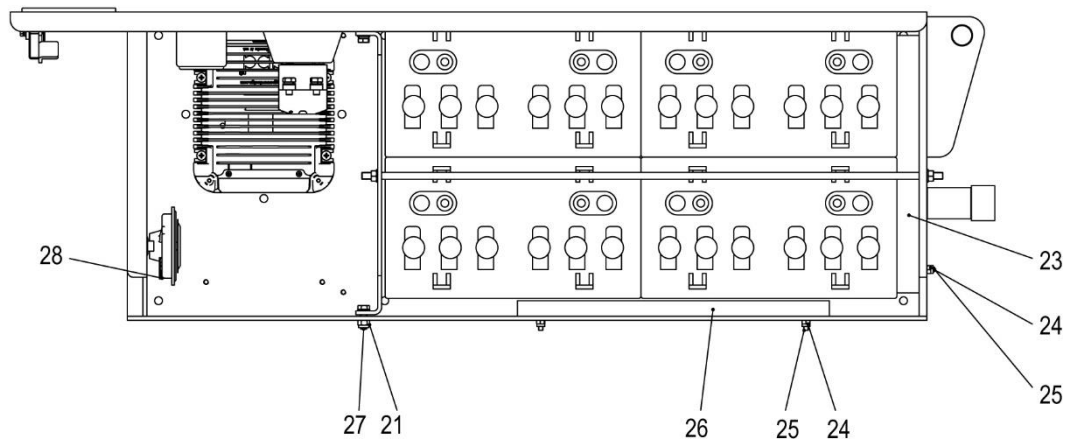
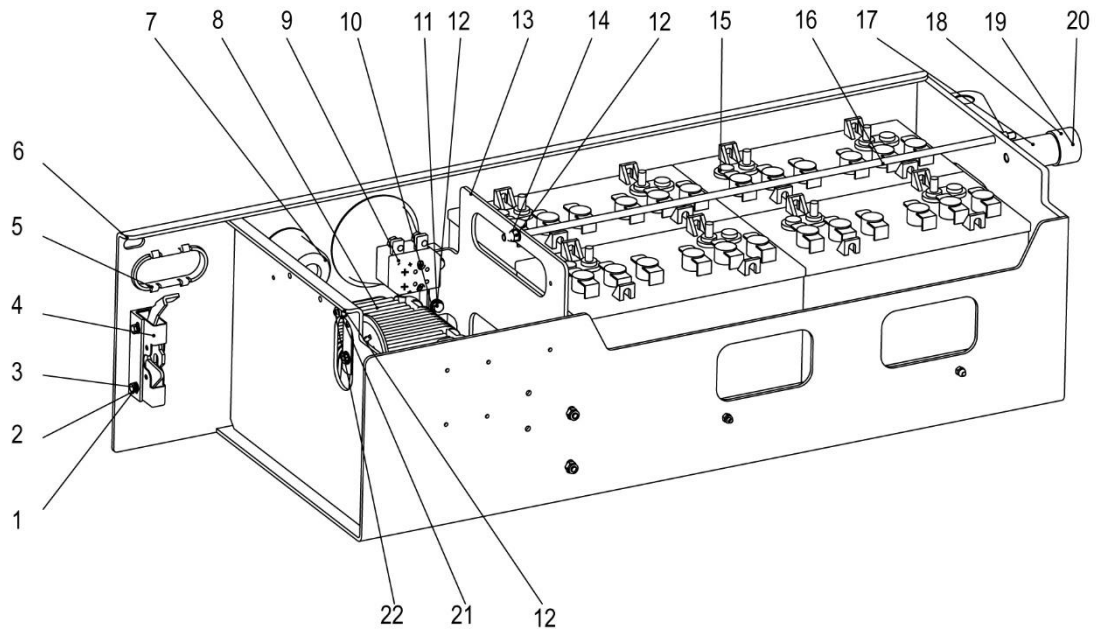


## ZS4555/4045/3246HD Battery Tray

NO.	Material No.	Item and Spec	Units	Remark
1	1040000076	Bolt M6×25-8.8	2	GB/T5783-2000
2	1040300062	Washer 6	8	GB/T93-1987
3	1040300051	Washer 6-200HV	8	GB/T97.1-2002
4	1109900766	Battery door lock	1	
5	00775602801601040	Protecting bush II	1	
6	00775702800620000	Battery Tray box (ZS4555HD)	1	
	00775602801620000	Battery Tray box (ZS4045/ZS3246HD)	1	
7	00775602801601010	Coil III	1	
8	1029907622	Vehicle-mounted battery charger	1	
9	1020521277	Main power switch	1	
10	1040000267	Bolt M8×20-8.8	2	GB/T5783-2000
11	1040300063	Washer 8	2	GB/T93-1987
12	1040300066	Washer 8-200HV	5	GB/T97.1-2002
13	00775602801601070	Middle plate (ZS4555/ZS4045HD)	1	
	00775502800220000	Middle plate (ZS3246HD)	1	
14	1040201078	Nut M8	2	GB/T6170-2000
15	1020999050	Battery	4	



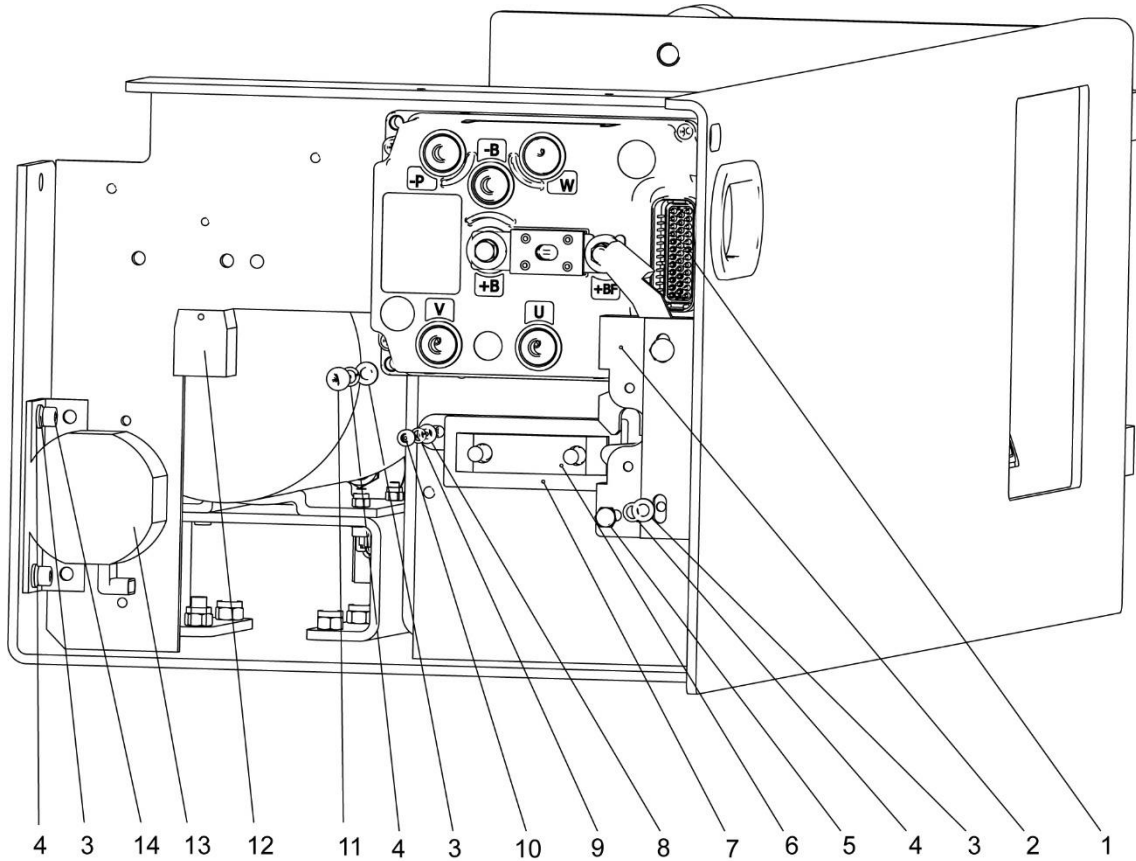
## ZS4555/4045/3246HD Battery Tray



## ZS4555/4045/3246HD Battery Tray

NO.	Material No.	Item and Spec	Units	Remark
16	00775602801601020	Threaded rod (ZS4555/ZS4045HD)	1	
	00775502800201010	Threaded rod (ZS3246HD)	1	
17	00775602800601010	Limited post	1	
18	00775602800601030	Cushion rubber	1	
19	1040100519	Screw M12×80-8.8	1	GB/T70.1-2000
20	1040300054	Washer 12	1	GB/T93-1987
21	1040200503	Nut M8	3	GB/T889.1-2000
22	1040100886	Screw M8×20	1	GB/T70.1-2008
23	00775602801601050	Limit plate I	1	
24	1040200506	Nut M6-8	8	GB/T889.1-2000
25	1040100237	Screw M6×30-8.8	6	GB/T70.1-2000
26	00775602801601060	Limit plate II	1	
27	1040000288	Bolt M8×25-8.8	1	GB/T5783-2000
28	1020304978	Basin shaped horn	1	

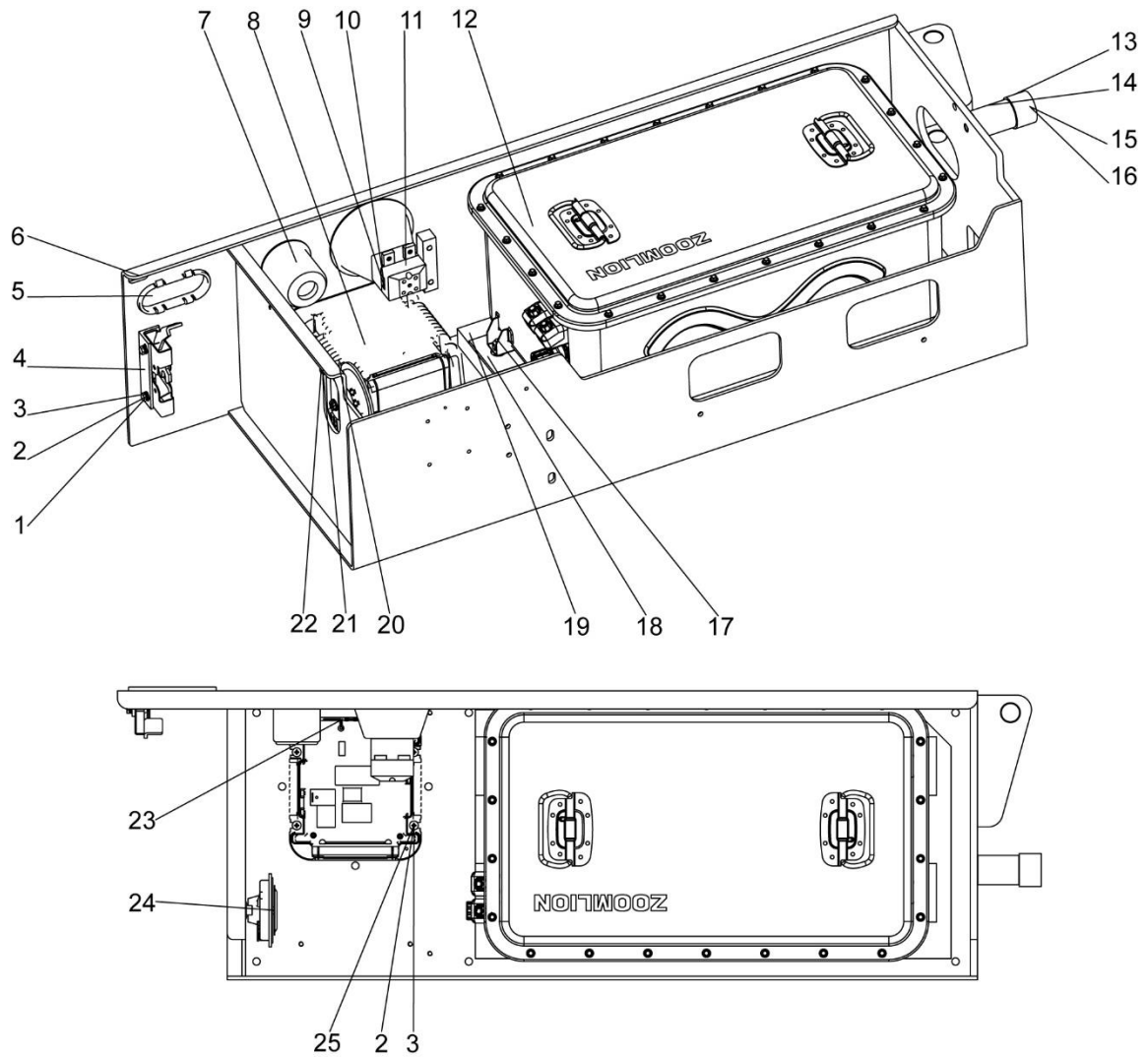
## ZS4555/ZS4045/ZS3246HD Series Hydraulic Tray 2



### ZS4555/ZS4045/ZS3246HD Series Hydraulic Tray 2

NO.	Material No.	Item and Spec	Units	Remark
1	1020005692	Motor driver	1	
2	1109900765	Hydraulic door lock	1	1109900765
3	1040300051	Washer 6-200HV	8	GB/T97.1-2002
4	1040300062	Washer 6	8	GB/T93-1987
5	1040000076	Bolt M6×25-8.8	2	GB/T5783-2000
6	1020604247	Flat fuse	1	
7	1020604246	Fuse holder	1	
8	1040100620	Screw M6×16	4	GB/T818-2000
9	1040300048	Washer 5-200HV	6	GB/T97.1-2002
10	1040300060	Washer 5	2	GB/T93-1987
11	1040102341	Screw M5×12-8.8	2	GB/T70.1-2000
12	1020300083	Common relay	1	
13	1020304982	Buzzer	2	
14	1040100127	Screw M6×12-8.8	2	GB/T70.1-2000

## ZS4555/4045/3246HD-Li Battery Tray

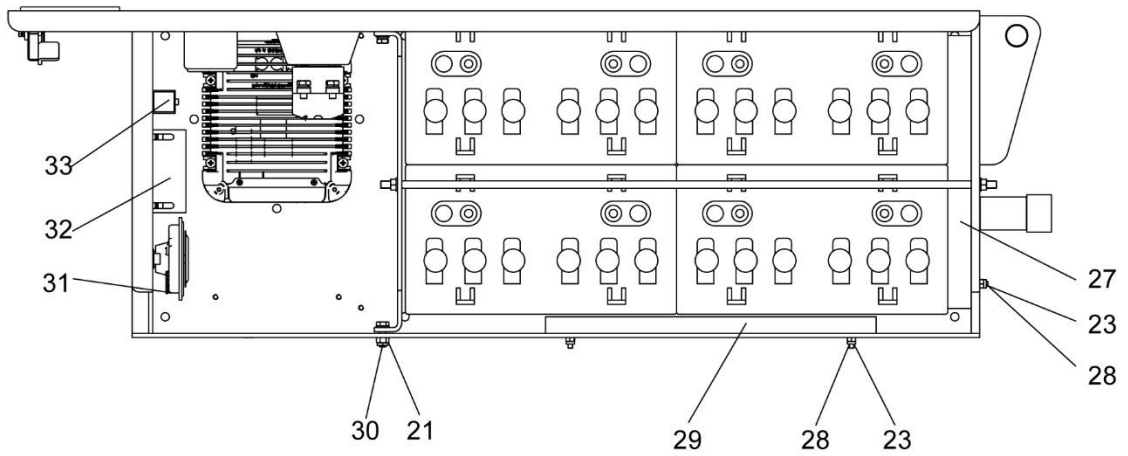
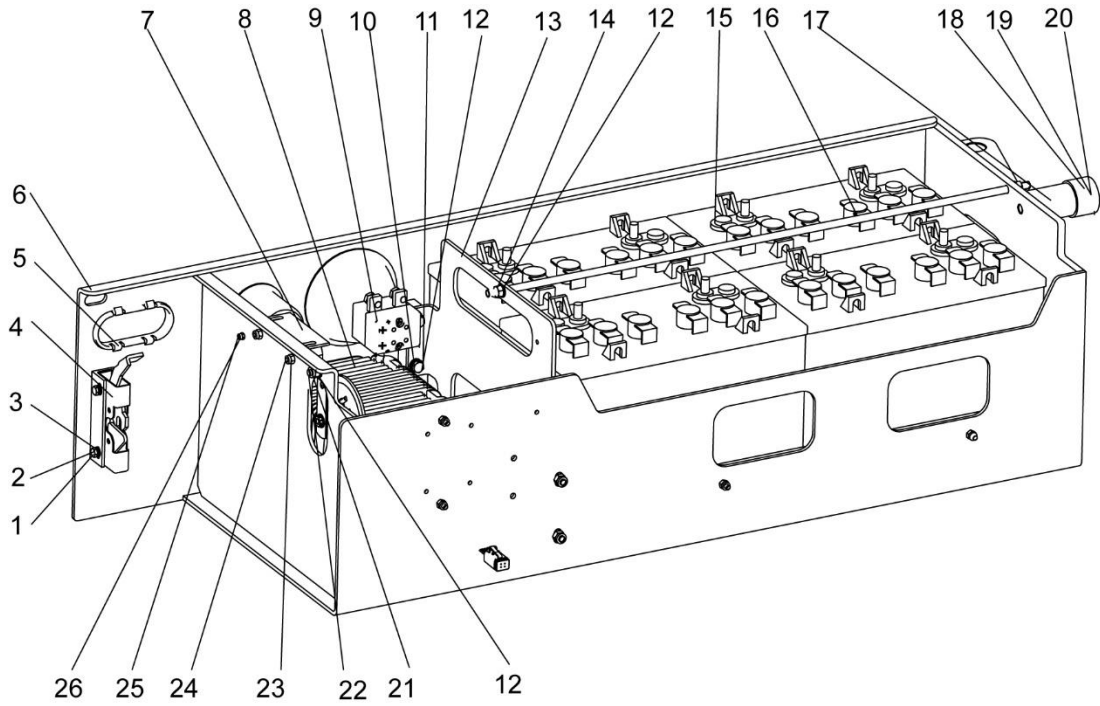


## ZS4555/4045/3246HD-Li Battery Tray

NO.	Material No.	Item and Spec	Units	Remark
1	1040000076	Bolt M6×25-8.8	2	GB/T5783-2000
2	1040300062	Washer 6	8	GB/T93-1987
3	1040300051	Washer 6	8	GB/T97.1-2002
4	1109900766	Battery door lock	1	
5	00775602801601040	Protecting bush II	1	
6	00775702800620000	Battery Tray box (ZS4555HD-Li)	1	
	00775602801620000	Battery Tray box (ZS4045/ZS3246HD-Li)	1	
7	00775602801601010	Coil.III	1	
8	1029907623	Vehicle-mounted battery charger	1	
9	1040300060	Washer 5	2	GB/T93-1987
10	1040102341	Screw M5×12-8.8	2	GB/T70.1-2000
11	1020521277	Main power switch	1	
12	1020999017	Battery	1	
13	00775602800601030	Cushion rubber	1	
14	00775602800601010	Limited post	1	
15	1040100519	Screw M12×80-8.8	1	GB/T70.1-2000
16	1040300054	Washer 12	1	GB/T93-1987
17	1040003761	Bolt M6×25-8.8	4	GB/T5783-2000
18	00775602820201070	Cushion rubber	4	
19	00775602820201080	Counterweight	1	
20	1040100886	Screw M8×20	1	GB/T70.1-2000
21	1040200503	Nut M8	1	GB/T889.1-2000
22	1040300066	Washer 8	1	GB/T97.1-2002
23	00775602820201010	Transparent plate	1	
24	1020304978	Basin shaped horn	1	
25	1040100620	Screw M6×16	4	GB/T818-2000

### ZS4555/4045/3246/2646HA(DC/AC)电池托盘

CHASSIS

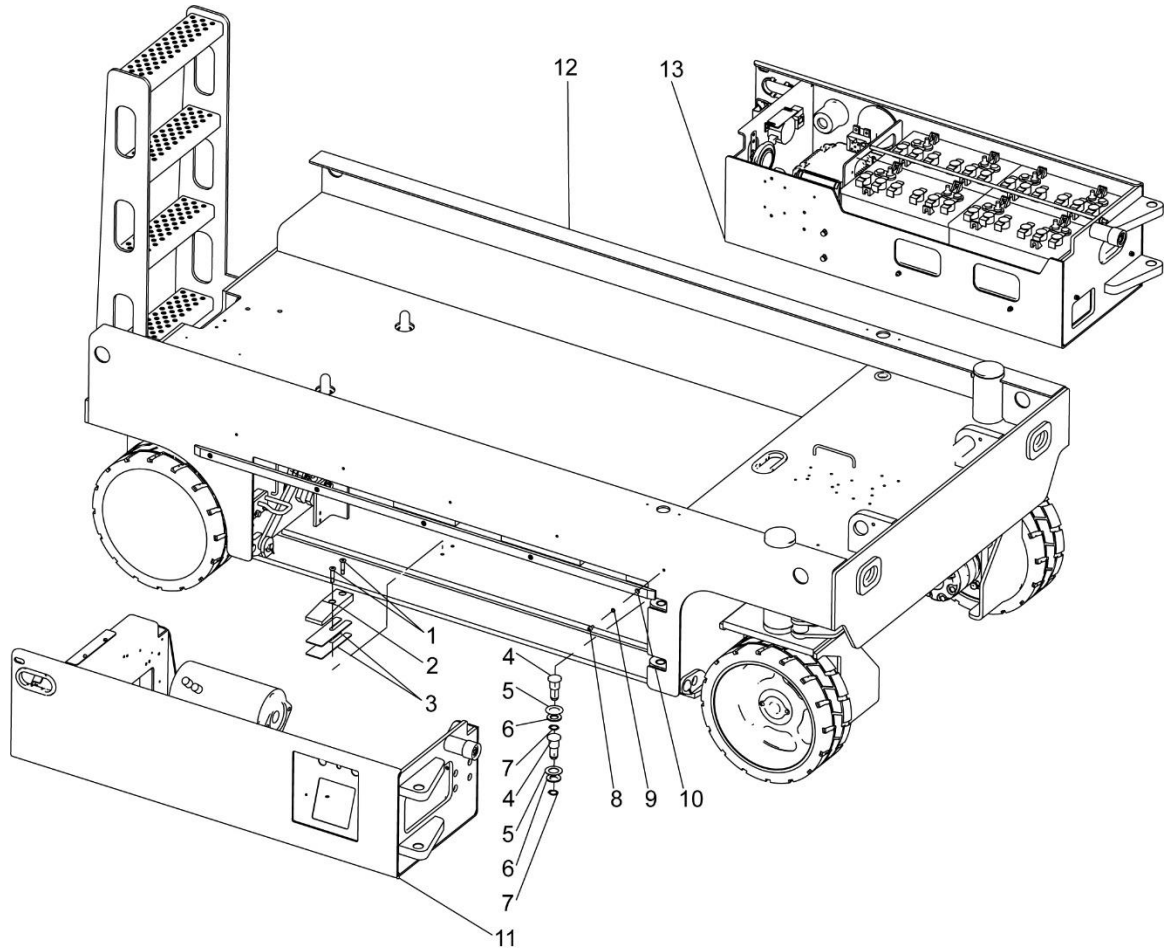




## ZS4555/4045/3246/2646HA(DC/AC) Battery Tray

NO.	Material No.	Item and Spec	Units	Remark
16	00775602801601020	Threaded rod (ZS4555DC/HA/AC ZS4045DC/HA/AC)	1	
	00775502800201010	Threaded rod (ZS3246DC/HA/AC ZS2646DC/HA)	1	
17	00775602800601010	Limited post	1	
18	00775602800601030	Cushion rubber	1	
19	1040100519	Screw M12×80-8.8	1	GB/T70.1-2000
20	1040300054	Washer 12	1	GB/T93-1987
21	1040200503	Nut M8	3	GB/T889.1-2000
22	1040100886	Screw M8×20	1	GB/T70.1-2008
23	1040200506	Nut M6-8	8	GB/T889.1-2000
24	1040100055	Screw M6×20-8.8	2	GB/T70.1-2000
25	1040201605	Locknut M4-8	1	GB/T889.1-2000
26	1040102716	Screw M4×35	1	GB/T70.1-2000
27	00775602801601050	Limit plate I	1	
28	1040100237	Screw M6×30-8.8	6	GB/T70.1-2000
29	00775602801601060	Limit plate II	1	
30	1040000288	Bolt M8×25-8.8	1	GB/T5783-2000
31	1020304978	Basin shaped horn	1	
32	1020304982	Buzzer	1	
33	1020300083	Common relay (ZS4555/4045/3246/2646DC)	1	
	1020305334	Common relay (ZS4555/4045/3246/2646HA ZS4555/4045/3246AC)	1	

## ZS4555/ZS4045/ZS3246/ZS2646 Series Chassis Tray

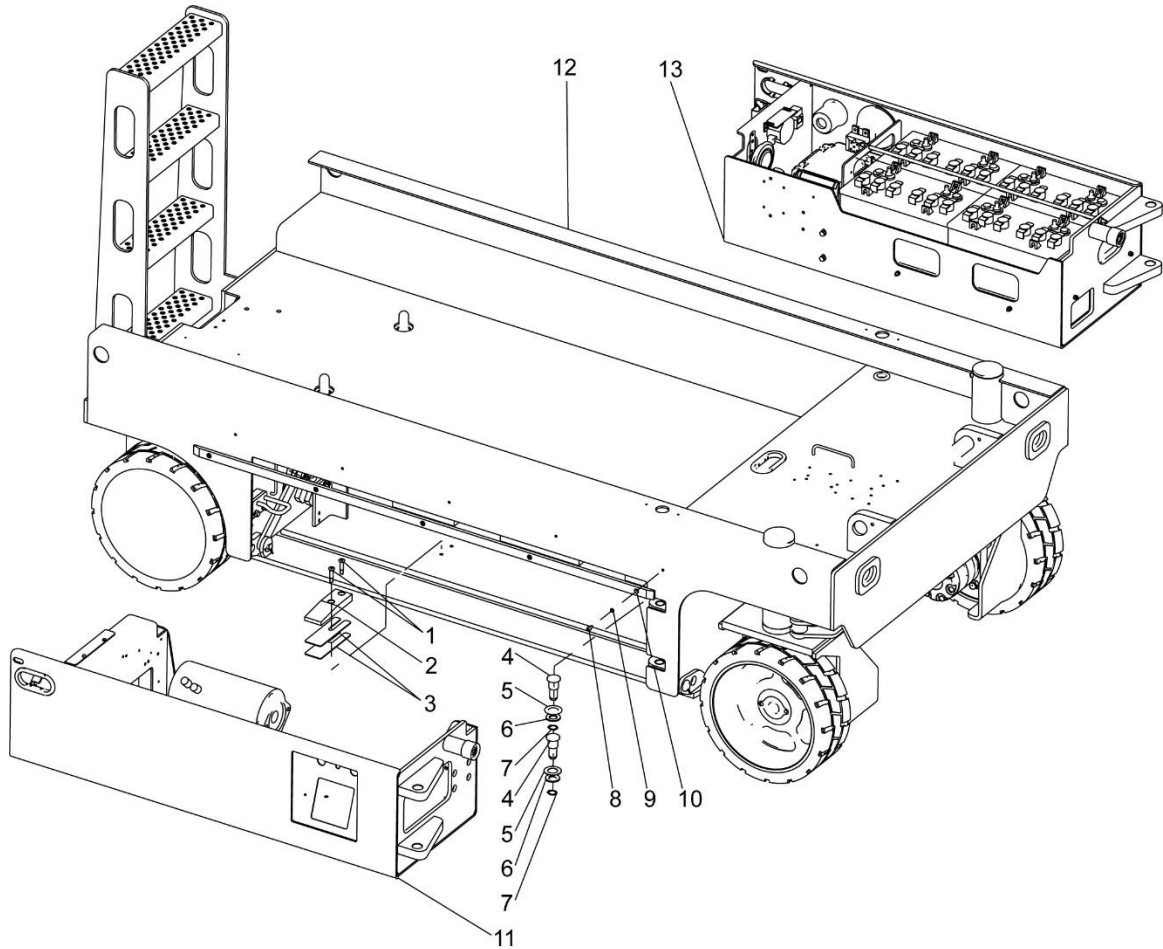


## ZS4555/ZS4045/ZS3246/ZS2646 Series Chassis Tray

NO.	Material No.	Item and Spec	Units	Remark
1	1040102717	Screw M8×40	4	GB/T70.3-2000
2	00775602800001140	Nylon spacer	2	
3	00775602800001200	Adjustable pad	4	
4	00775302800001100	Tray pin	4	
5	00775602800001010	Copper washer	4	
6	1040300106	Washer 20-200HV	4	GB/T97.1-2002
7	1040300167	Retaining ring 20	4	GB/T894.1-1986
8	1040100127	Screw M6×12-8.8	10	GB/T70.1-2000
9	1040300062	Washer 6	10	GB/T93-1987
10	00775602800001120	Side bumper stripe (ZS4045/ZS3246/ZS2646 series)	2	
11	00775702800400000	Hydraulic Tray (ZS4555HD series)	1	
	00775702820400000	Hydraulic Tray (ZS4555DC series)	1	
	00775702870200000	Hydraulic Tray (ZS4555HA/AC series)	1	
	00775602800600000	Hydraulic Tray (ZS4045HD/ZS3246HD series)	1	
	00775602810400000	Hydraulic Tray (ZS4045DC/ZS3246DC/ZS2646DC series)	1	
	00775602860200000	Hydraulic Tray (ZS4045HA/AC, ZS3246HA/AC, ZS2646HA series)	1	

## ZS4555/ZS4045/ZS3246/ZS2646 Series Chassis Tray

CHASSIS

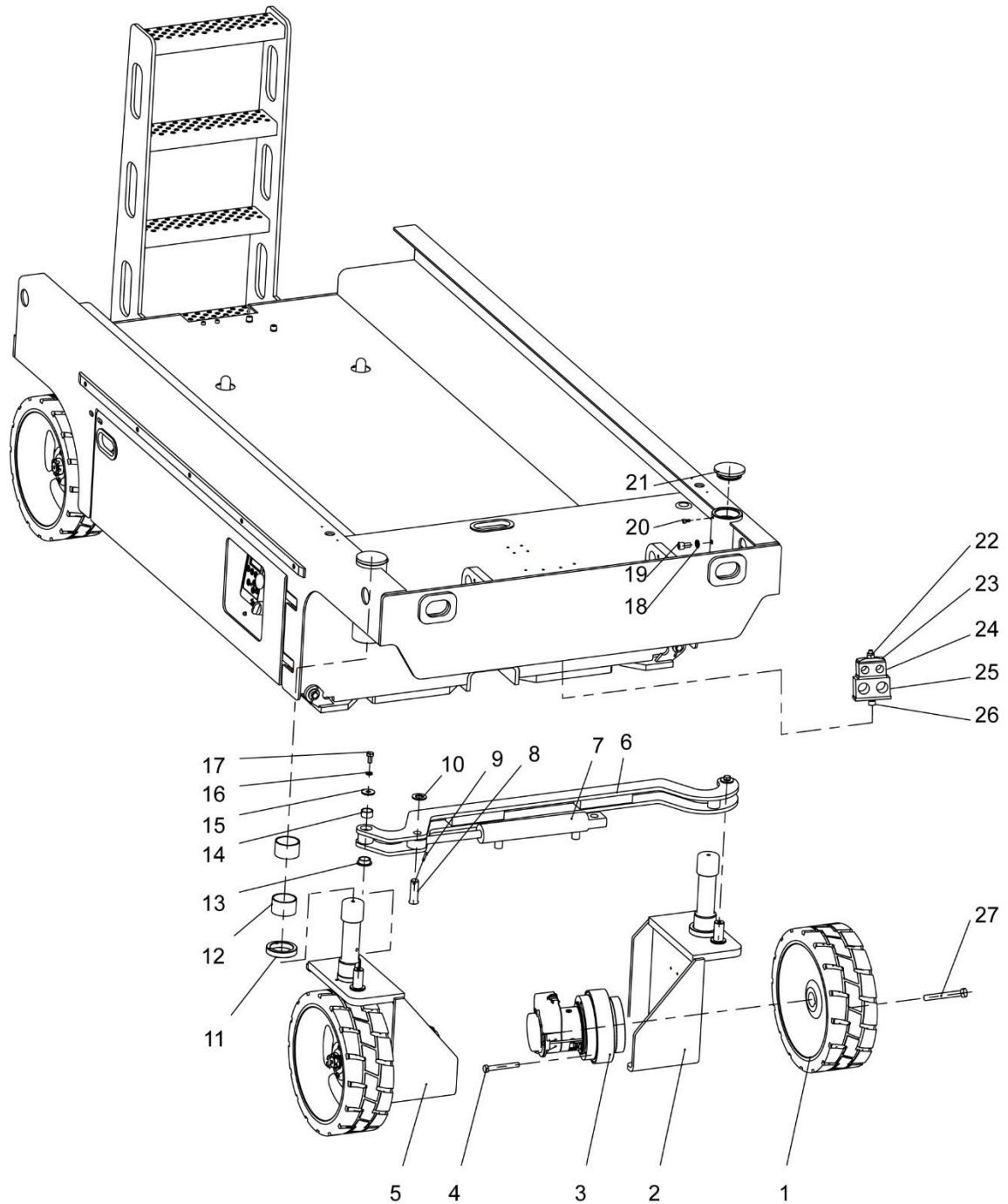


## ZS4555/ZS4045/ZS3246/ZS2646 Series Chassis Tray

NO.	Material No.	Item and Spec	Units	Remark
12	00775702800200000	Frame (ZS4555DC/AC/HA/HD ZS4555HD-Li/HA-Li)	1	
	00775702820200000	Frame (ZS4555DC-Li/AC-Li)	1	
	00775602800400000	Frame (ZS4045/ZS3246/ZS2646DC ZS4045/ZS3246AC ZS4045/ZS3246/ZS2646HA series ZS4045/ZS3246HD series)	1	
	00775602830400000	Frame (ZS4045/ZS3246/ZS2646DC-Li ZS4045/ZS3246AC-Li)	1	
13	00775702810200000	Battery Tray (ZS4555HD/DC/HA/AC)	1	
	00775702800600000	Battery Tray (ZS4555HD-Li/DC-Li/ ZS4555HA-Li/AC-Li)	1	
	00775602801600000	Battery Tray (ZS4045HD/DC/HA/AC)	1	
	00775502800400000	Battery Tray (ZS3246HD/DC/HA/AC ZS2646DC/HA)	1	
	00775602820200000	Battery Tray (ZS4045HD-Li/DC-Li/ ZS4045HA-Li/AC-Li/ ZS3246HD-Li/DC-Li/ ZS3246HA-Li/AC-Li/ ZS2646DC-Li/HA-Li)	1	

### ZS4555/ZS4045/ZS3246/ZS2646DC(AC) Front-wheel Steering System

CHASSIS



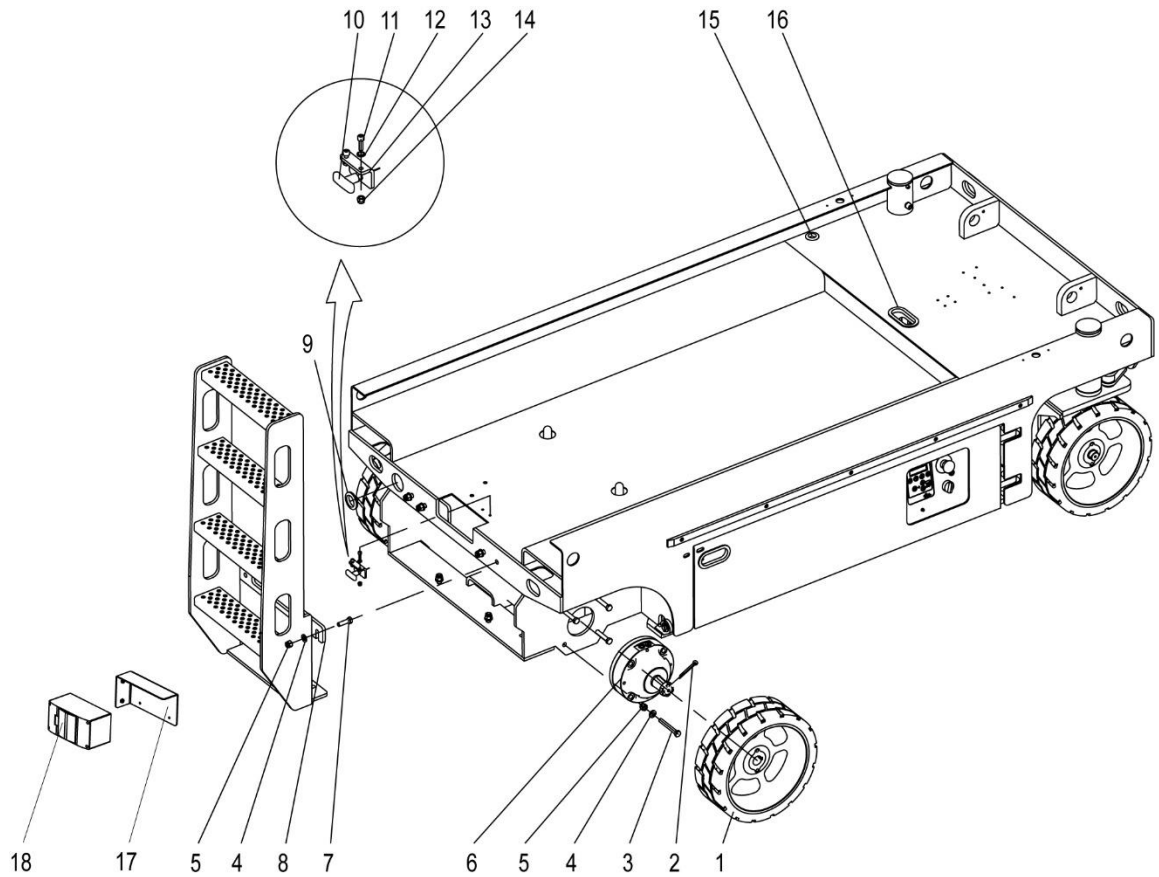
## ZS4555/ZS4045/ZS3246/ZS2646DC(AC) Front-wheel Steering System

NO.	Material No.	Item and Spec	Units	Remark
1	1030800580	Tire	2	
2	00775602810600000	Left steering wheel carrier	1	
3	1020005637	Electric machinery (ZS4555/4045/3246/2646DC)	2	
	1020005532	Electric machinery (ZS4045/3246AC)	2	
	1020005626	Electric machinery (ZS4555AC)	2	
4	1040000970	Bolt 3/8—16UNC-30-8.8	12	GB/T5786-2000
5	00775602810800000	Right steering wheel carrier	1	
6	00775702801600000	Steering linkage (ZS4555DC/AC)	1	
	00775602803400000	Steering linkage	1	
7	1010201394	Steering cylinder	1	
8	1040500034	Pin B20×60	2	GB/T882-1986
9	1040500394	Split pin 5×40	2	GB/T91-2000
10	1040300106	Washer 20	2	GB/T97.1-2002
11	00775602800001050	Wearing ring	2	
12	1054400312	Composite bush 57×63×38	4	
13	1054400313	Composite bush 25×30×12.5	2	
14	1054400314	Composite bush 25×30×15	2	
15	1040301847	Washer 10	2	GB/T5287-1985
16	1040300067	Washer 10	2	GB/T93-1987
17	1040000116	Bolt M10×20-8.8	2	GB/T5783-2000
18	1040300054	Washer 12	2	GB/T93-1987
19	1040100157	Screw M12×20-8.8	2	GB/T70.1-2000
20	1040100127	Screw M6×12-8.8	2	GB/T70.1-2000
21	00775602800001040	End cover	2	
22	1040200503	Nut M8-8	1	GB/T889.1-2000
23	1990201348	Cover plate	1	
24	1019901543	Twin tube clamp	1	
25	1990201778	Twin tube clamp	1	
26	1040100501	Screw M8×100-8.8	1	GB/T70.1-2000
27	1040005784	Bolt M12×1.5×35-8.8	10	GB/T16674.2-2004



## ZS4555/ZS4045/ZS3246/ZS2646DC(AC) Series Ladder

CHASSIS

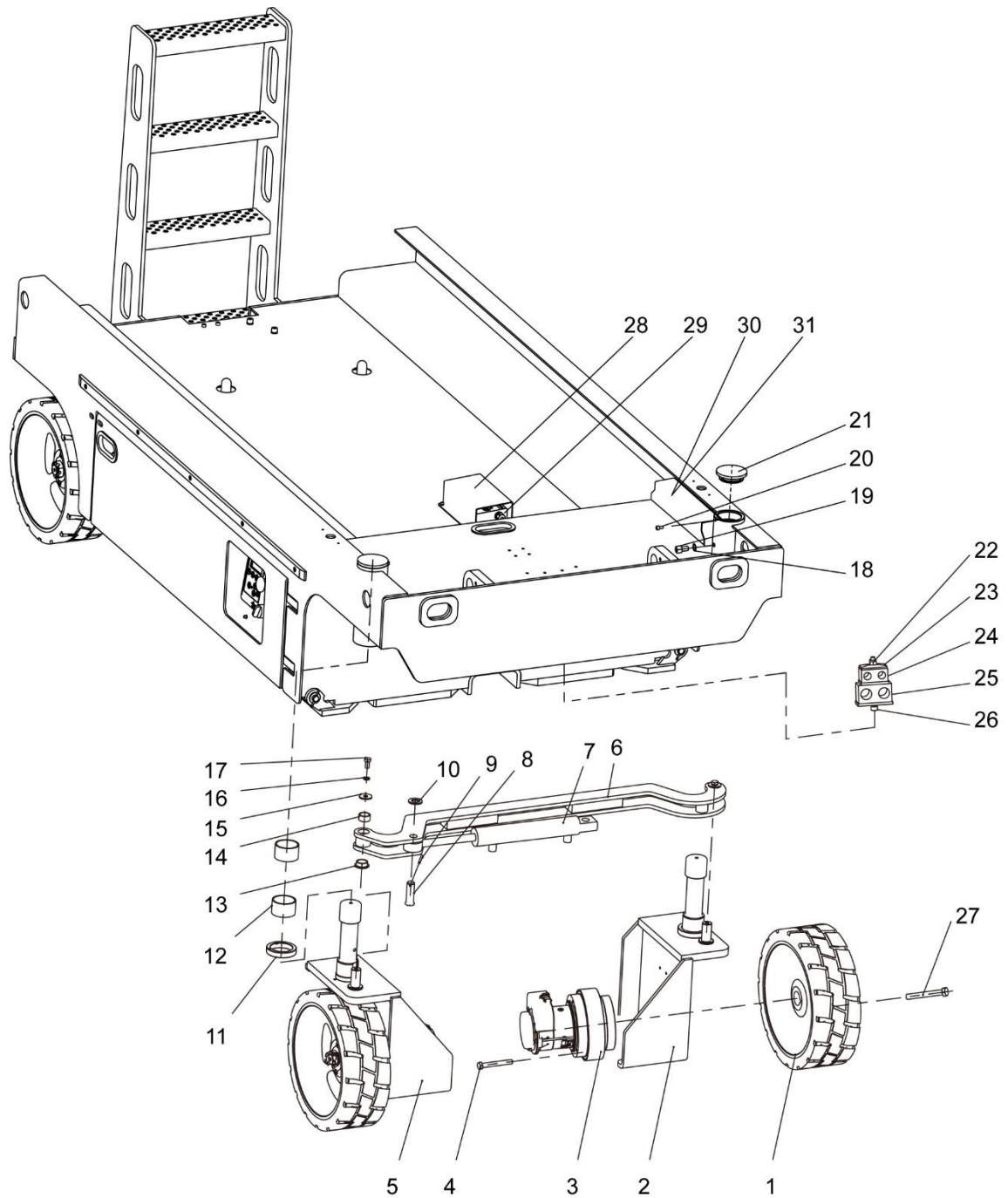


## ZS4555/ZS4045/ZS3246/ZS2646DC(AC) Series Ladder

NO.	Material No.	Item and Spec	Units	Remark
1	1030800538	Tire	2	
2	1040500535	Split pin 4×80	2	GB/T91-2000
3	1040000126	Bolt M12×100-8.8	8	GB/T5782-2000
4	1040300526	Washer 12	14	GB/T97.1-2002
5	1040200507	Nut M12-8	14	GB/T889.1-2000
6	1059900526	Brake	2	
7	1040004201	Bolt M12×40-8.8	6	GB/T801-1998
8	00775602803200000	Ladder	1	
	00775402850200000	Ladder (ZS2646DC)	1	
9	00775602801601010	Coil III	1	
10	1100700162	T handle (Red)	1	
11	1040100055	Screw M6×20-8.8	2	GB/T70.1-2000
12	1040300051	Washer 6	2	GB/T97.1-2002
13	00775605200401030	Lower stay wire bracket	1	
14	1040200506	Nut M6-8	2	GB/T889.1-2000
15	00775602800001180	Coil II	2	
16	00775602801601040	Protecting bush II	1	
17	00775302802400000	Box holder	1	
18	1020605443	Residual current circuit breaker	1	

### ZS4555/ZS4045/ZS3246/ZS2646DC(AC)-Li Front-wheel Steering System

CHASSIS

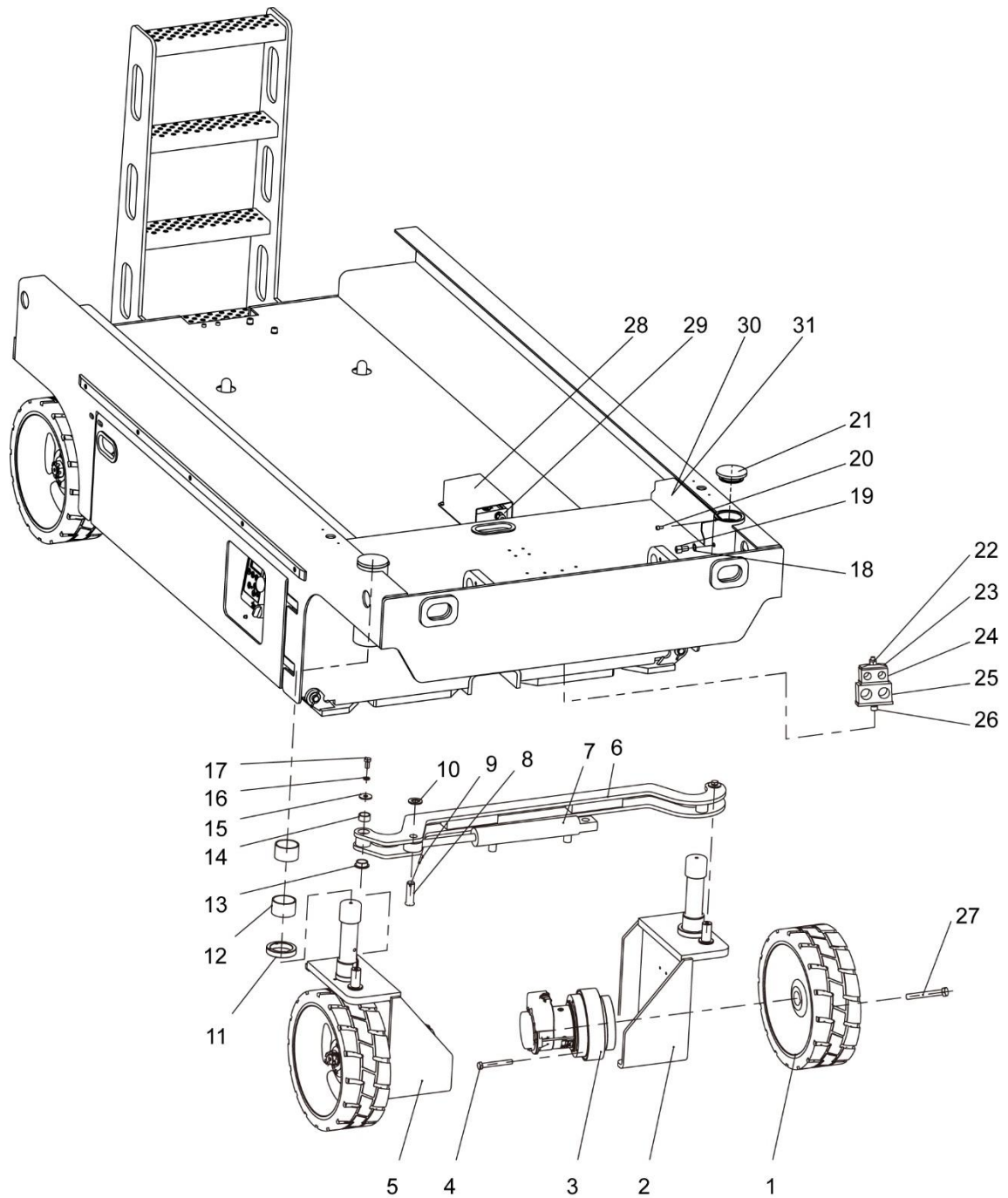


### ZS4555/ZS4045/ZS3246/ZS2646DC(AC)-Li Front-wheel Steering System

NO.	Material No.	Item and Spec	Units	Remark
1	1030800580	Tire	2	
2	00775602810600000	Left steering wheel carrier	1	
3	1020005637	Electric machinery (ZS4555/4045/3246/2646DC-Li)	2	
	1020005532	Electric machinery (ZS4045/3246AC-Li)	2	
	1020005626	Electric machinery (ZS4555AC-Li)	2	
4	1040000970	Bolt 3/8—16UNC-30-8.8	12	GB/T5786-2000
5	00775602810800000	Right steering wheel carrier	1	
6	00775702801600000	Steering linkage (ZS4555DC-Li/AC-Li)	1	
	00775602803400000	Steering linkage	1	
7	1010201394	Steering cylinder	1	
8	1040500034	Pin B20×60	2	GB/T882-1986
9	1040500394	Split pin 5×40	2	GB/T91-2000
10	1040300106	Washer 20	2	GB/T97.1-2002
11	00775602800001050	Wearing ring	2	
12	1054400312	Composite bush 57×63×38	4	
13	1054400313	Composite bush 25×30×12.5	2	
14	1054400314	Composite bush 25×30×15	2	
15	1040301847	Washer 10	2	GB/T5287-1985
16	1040300067	Washer 10	2	GB/T93-1987
17	1040000116	Bolt M10×20-8.8	2	GB/T5783-2000
18	1040300054	Washer 12	2	GB/T93-1987
19	1040100157	Screw M12×20-8.8	2	GB/T70.1-2000
20	1040100127	Screw M6×12-8.8	2	GB/T70.1-2000

### ZS4555/ZS4045/ZS3246/ZS2646DC(AC)-Li Front-wheel Steering System

CHASSIS

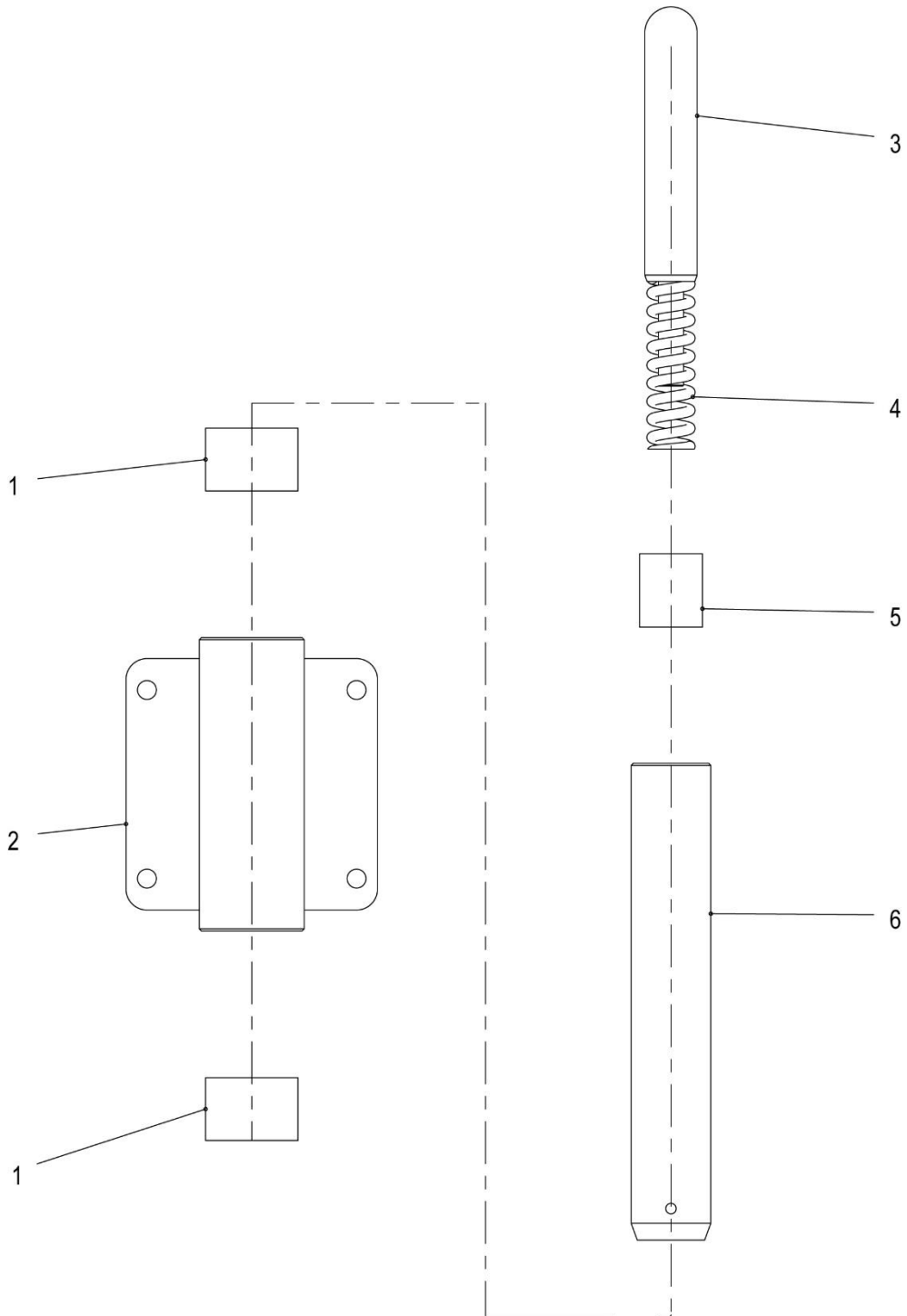


### ZS4555/ZS4045/ZS3246/ZS2646DC(AC)-Li Front-wheel Steering System

NO.	Material No.	Item and Spec	Units	Remark
21	00775602800001040	End cover	2	
22	1040200503	Nut M8-8	1	GB/T889.1-2000
23	1990201348	Cover plate	1	
24	1019901543	Twin tube clamp	1	
25	1990201778	Twin tube clamp	1	
26	1040100501	Screw M8×100-8.8	1	GB/T70.1-2000
27	1040005784	Bolt M12×1.5×35-8.8	10	GB/T16674.2-2004
28	00775302830001010	Brake cover	1	
29	1020202270	Brake Module	1	
30	00775302830001020	Resistance cover	2	
31	1020605470	Braking resistor	2	

## ZS4555/ZS4045/ZS3246/ZS2646 Series Guide Mechanism

CHASSIS



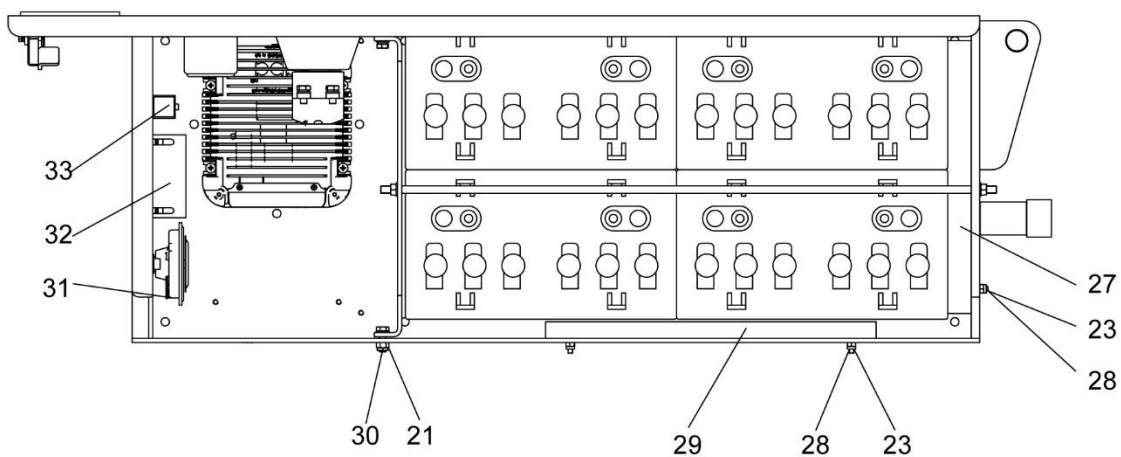
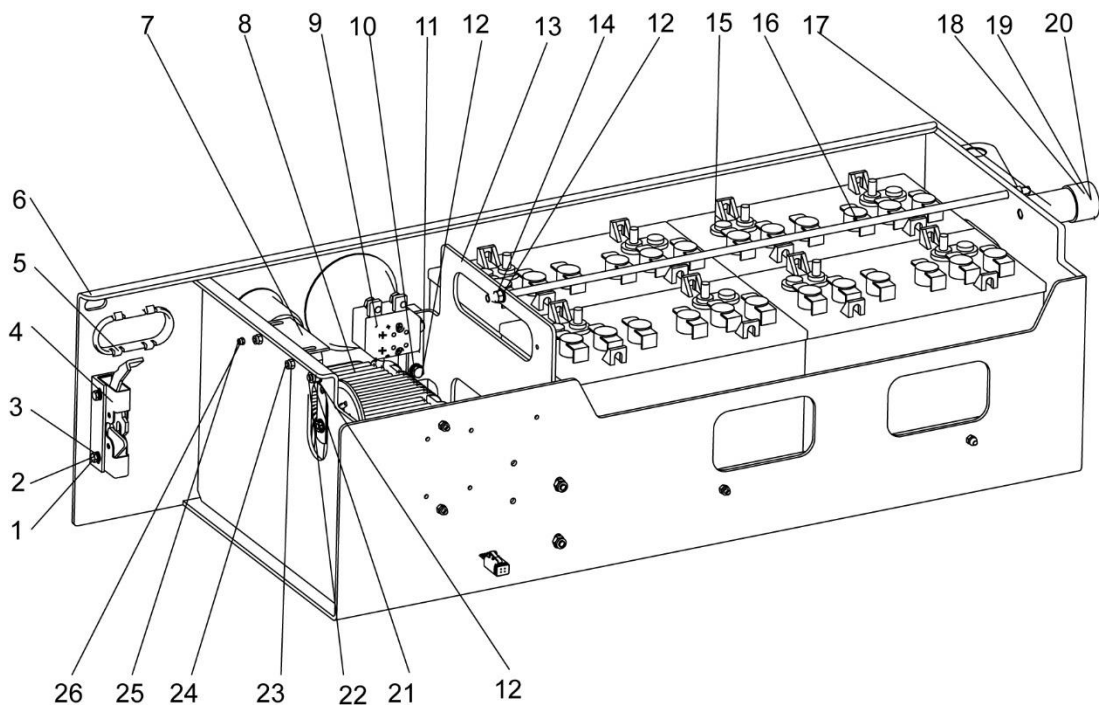
**ZS4555/ZS4045/ZS3246/ZS2646 Series Guide Mechanism**

NO.	Material No.	Item and Spec	Units	Remark
1	1054400310	Composite bush 38×44×30	2	
2	00775602801210000	Guide support	1	
3	00775602801201020	Spring support	1	
4	00775602801201030	Spring	1	
5	1054400308	Composite bush 25×30×35	1	
6	00775702801401010	Guide rod (ZS4555 series)	1	
	00775602801201010	Guide rod	1	



### ZS4555/4045/3246/2646HA(DC/AC) Battery Tray

CHASSIS

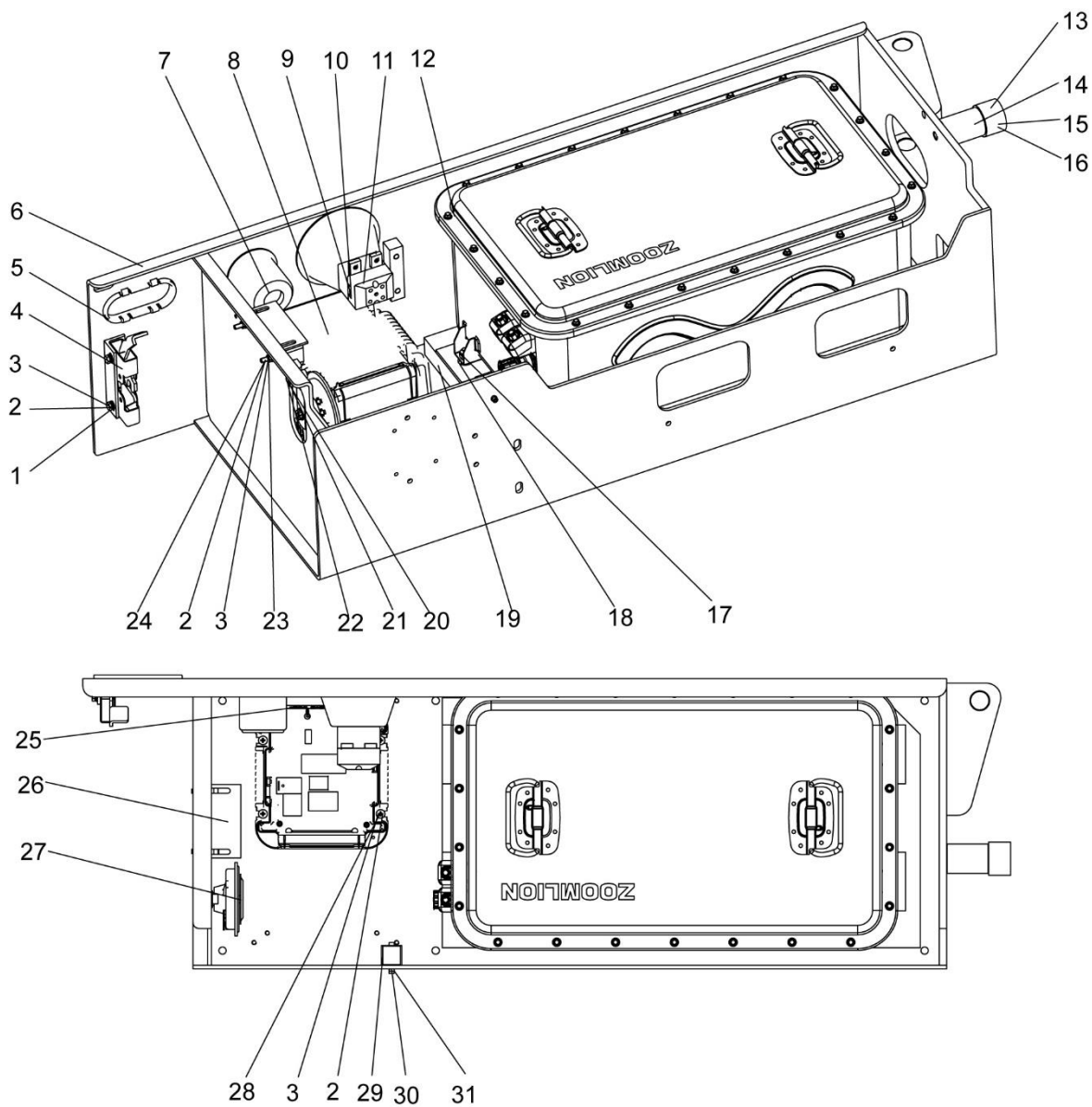


## ZS4555/4045/3246/2646HA(DC/AC) Battery Tray

NO.	Material No.	Item and Spec	Units	Remark
1	1040000076	Bolt M6×25-8.8	2	GB/T5783-2000
2	1040300062	Washer 6	8	GB/T93-1987
3	1040300051	Washer 6-200HV	8	GB/T97.1-2002
4	1109900766	Battery door lock	1	
5	00775602801601040	Protecting bush II	1	
6	00775702800620000	Battery Tray box (ZS4555DC/HA/AC)	1	
	00775602801620000	Battery Tray box (ZS4045DC/HA/AC ZS3246DC/HA/AC ZS2646DC/HA)	1	
7	00775602801601010	Coil III	1	
8	1029907622	Vehicle-mounted battery charger	1	
9	1020521277	Main power switch	1	
10	1040000267	Bolt M8×20-8.8	2	GB/T5783-2000
11	1040300063	Washer 8	2	GB/T93-1987
12	1040300066	Washer 8-200HV	5	GB/T97.1-2002
13	00775602801601070	Middle plate (ZS4555DC/HA/AC ZS4045DC/HA/AC)	1	
	00775502800220000	Middle plate (ZS3246DC/HA/AC ZS2646DC/HA)	1	
14	1040201078	Nut M8	2	GB/T6170-2000
15	1020999050	Battery	4	

### ZS4555/4045/3246/2646HA(DC/AC)-Li Battery Tray

CHASSIS

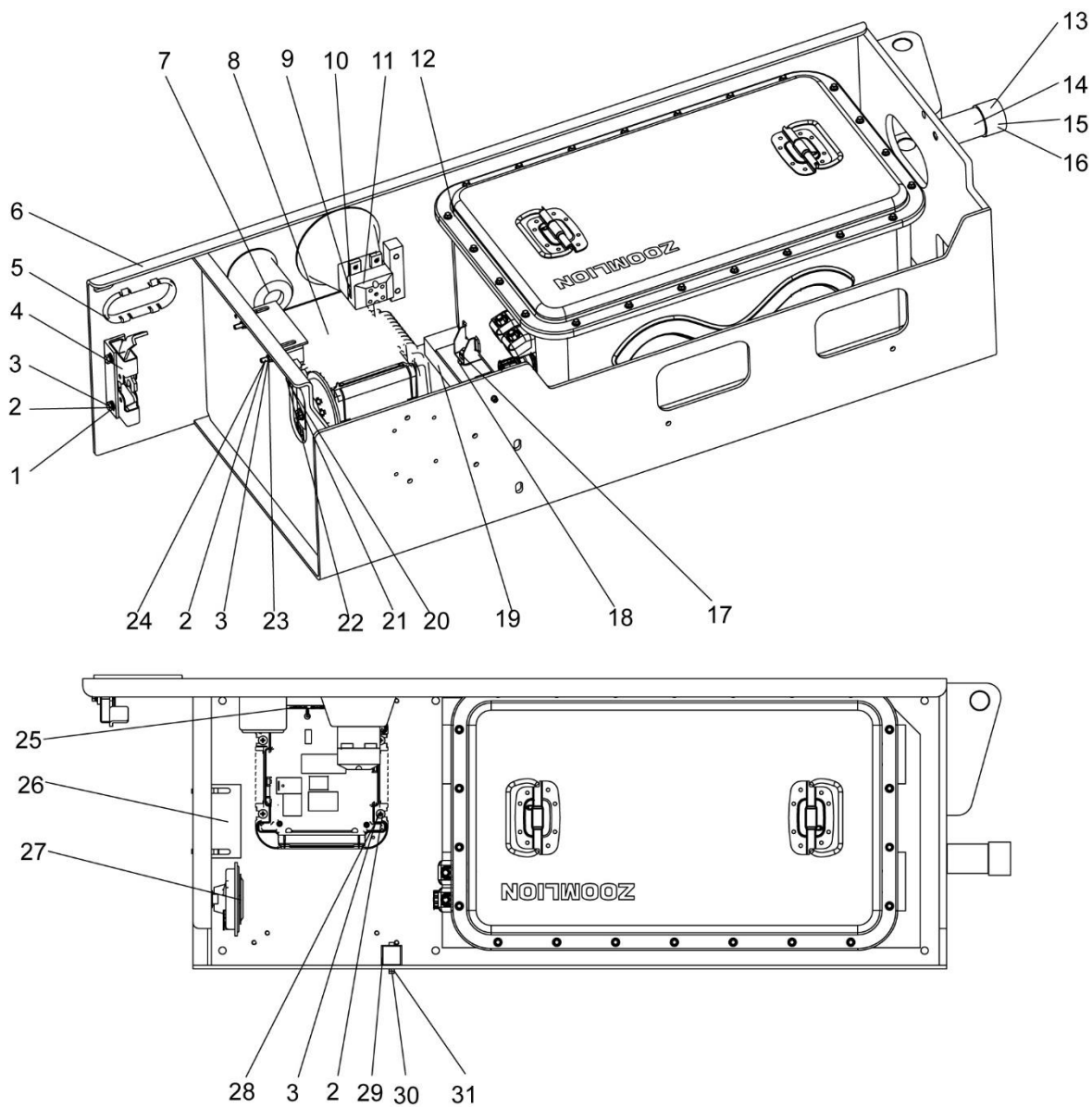


## ZS4555/4045/3246/2646HA(DC/AC)-Li Battery Tray

NO.	Material No.	Item and Spec	Units	Remark
1	1040000076	Bolt M6×25-8.8	2	GB/T5783-2000
2	1040300062	Washer 6	8	GB/T93-1987
3	1040300051	Washer 6	8	GB/T97.1-2002
4	1109900766	Battery door lock	1	
5	00775602801601040	Protecting bush II	1	
6	00775702800620000	Battery Tray box (ZS4555DC-Li/HA-Li/AC-Li)	1	
	00775602801620000	Battery Tray box (ZS4045DC-Li/HA-Li/AC-Li ZS3246DC-Li/HA-Li/AC-Li ZS2646DC-Li/HA-Li)	1	
7	00775602801601010	Coil III	1	
8	1029907623	Vehicle-mounted battery charger	1	
9	1040300060	Washer 5	2	GB/T93-1987
10	1040102341	Screw M5×12-8.8	2	GB/T70.1-2000
11	1020521277	Main power switch	1	
12	1020999017	Battery	1	
13	00775602800601030	Cushion rubber	1	
14	00775602800601010	Limited post	1	
15	1040100519	Screw M12×80-8.8	1	GB/T70.1-2000
16	1040300054	Washer 12	1	GB/T93-1987
17	1040003761	Bolt M6×25-8.8	4	GB/T5783-2000
18	00775602820201070	Rubber Washer	4	
19	00775602820201080	Counterweight	1	
20	1040100886	Screw M8×20	1	GB/T70.1-2000

### ZS4555/4045/3246/2646HA(DC/AC)-Li Battery Tray

CHASSIS

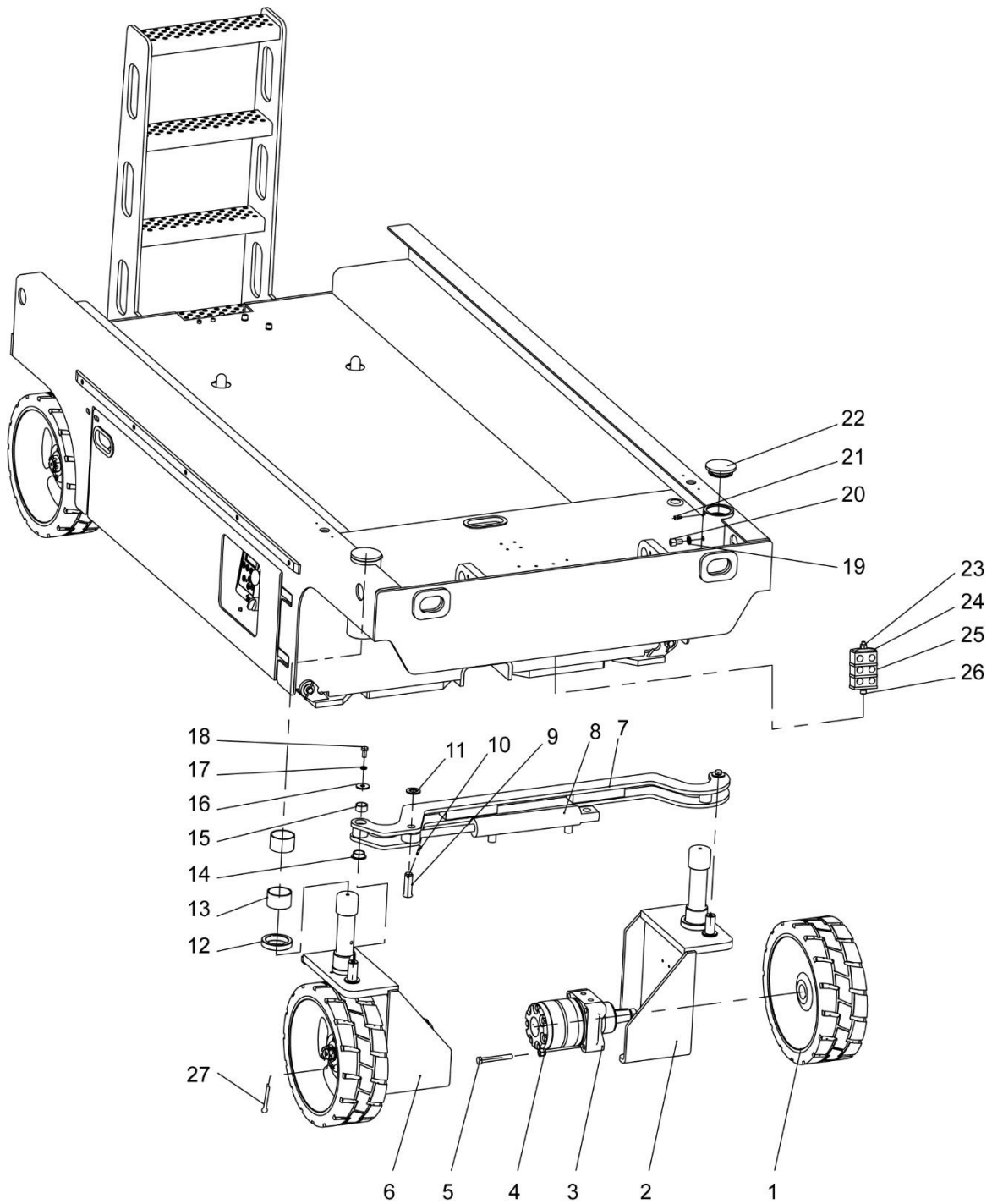


## ZS4555/4045/3246/2646HA(DC/AC)-Li Battery Tray

NO.	Material No.	Item and Spec	Units	Remark
21	1040200503	Nut M8	1	GB/T889.1-2000
22	1040300066	Washer 8	1	GB/T97.1-2002
23	1040200506	Nut M6-8	2	GB/T889.1-2000
24	1040100237	Screw M6×30-8.8	2	GB/T70.1-2000
25	00775602820201010	Transparent plate	1	
26	1020304982	Buzzer	1	
27	1020304978	Basin shaped horn	1	
28	1040100620	Screw M6×16	4	GB/T818-2000
29	1020300083	Common relay (ZS4555/4045/3246DC-Li ZS2646DC-Li)	1	
	1020305334	Common relay (ZS4555/4045/3246/2646HA-Li ZS4555/4045/3246AC-Li)	1	
30	1040201605	Nut M4-8	1	GB/T889.1-2000
31	1040102716	Screw M4×35	1	GB/T70.1-2000

## ZS4555/ZS4045/ZS3246/ZS2646HD(HA) Series Front-wheel Steering System

CHASSIS

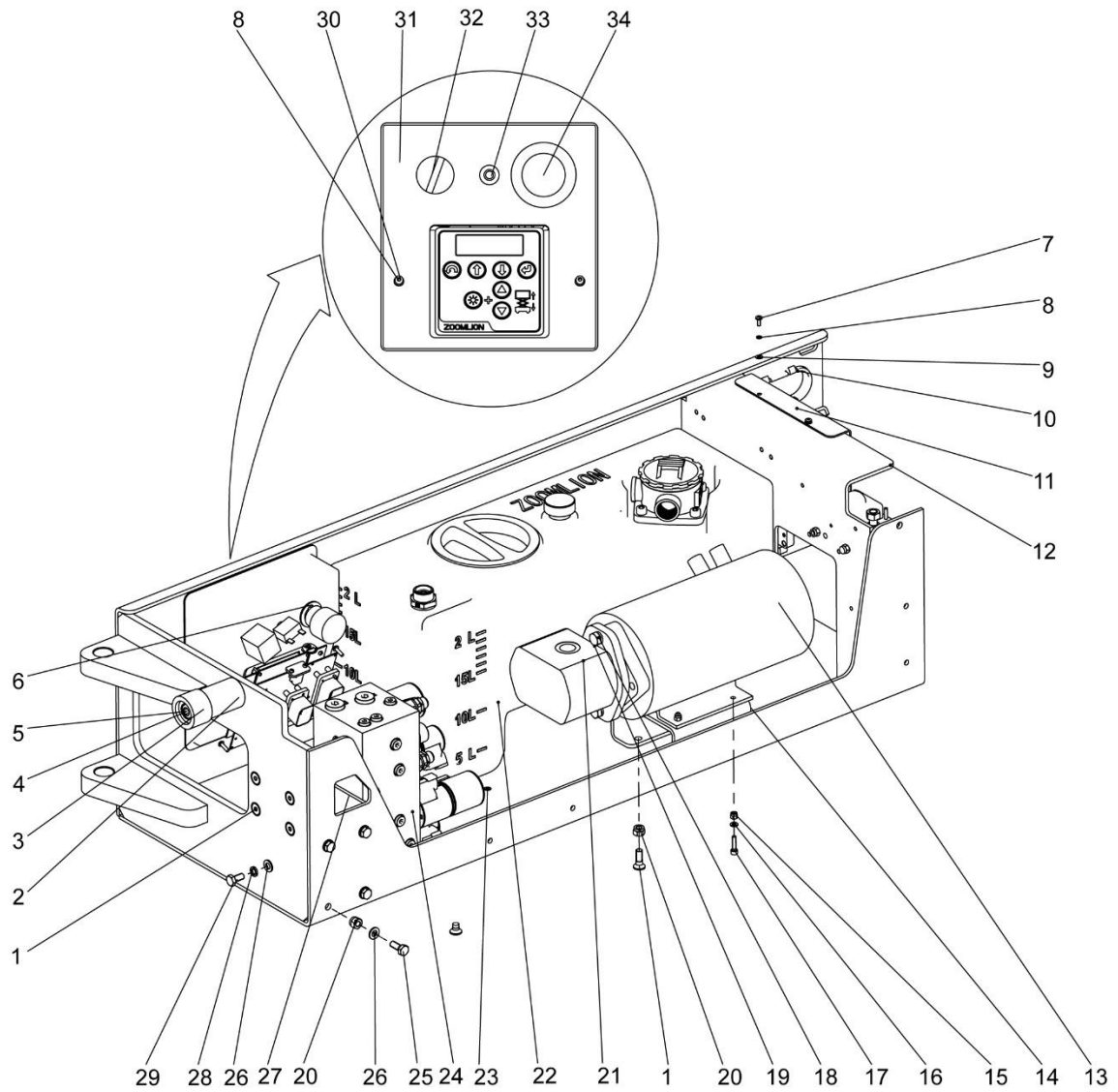


### ZS4555/ZS4045/ZS3246/ZS2646HD(HA) Series Front-wheel Steering System

NO.	Material No.	Item and Spec	Units	Remark
1	1030800538	Tire	2	
2	00775602801000000	Left steering wheel carrier	1	
3	1010100889	Motor	2	
4	1040200507	Nut M12-8	8	GB/T889.1-2000
5	1040000225	Bolt M12×90	8	GB/T5783-2000
6	00775602801800000	Right steering wheel carrier	1	
7	00775702801600000	Steering linkage (ZS4555HA/HD 系列)	1	
	00775602803400000	Steering linkage	1	
8	1010201394	Steering cylinder	1	
9	1040500034	Pin B20×60	2	GB/T882-1986
10	1040500394	Split pin 5×40	2	GB/T91-2000
11	1040300106	Washer 20	2	GB/T97.1-2002
12	00775602800001050	Wearing ring	2	
13	1054400312	Composite bush 57×63×38	4	
14	1054400313	Composite bush 25×30×12.5	2	
15	1054400314	Composite bush 25×30×15	2	
16	1040301847	Washer 10	2	GB/T5287-1985
17	1040300067	Washer 10	2	GB/T93-1987
18	1040000116	Bolt M10×20-8.8	2	GB/T5783-2000
19	1040300054	Washer 12	2	GB/T93-1987
20	1040100157	Screw M12×20-8.8	2	GB/T70.1-2000
21	1040100127	Screw M6×12-8.8	2	GB/T70.1-2000
22	00775602800001040	End cover	2	
23	1040200503	Nut M8-8	1	GB/T889.1-2000
24	1990201348	Cover plate	1	
25	1019901543	Twin tube clamp	3	
26	1040100728	Screw M8×110-8.8	1	GB/T70.1-2000
27	1040500535	Split pin 4×80	2	GB/T91-2000



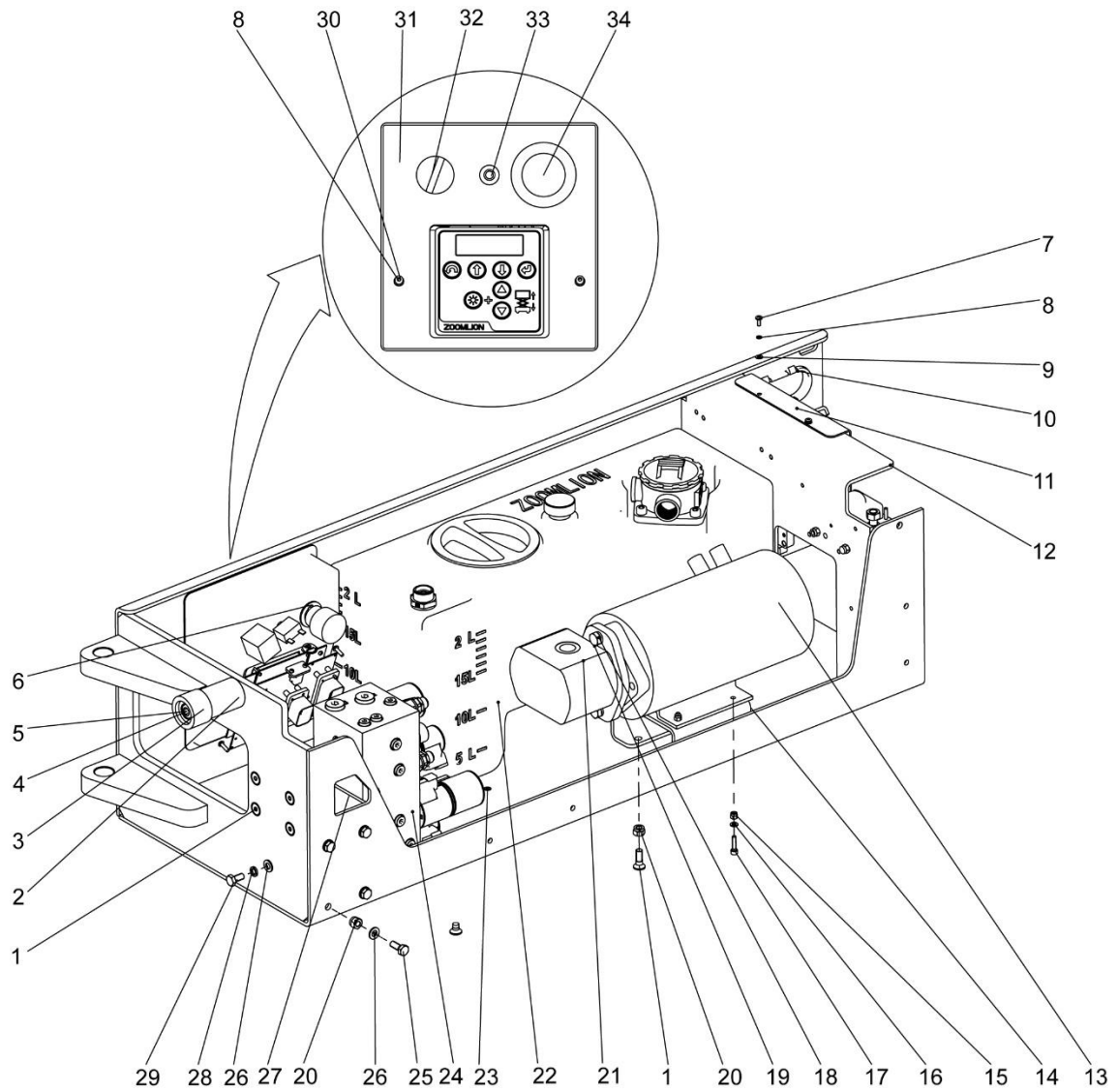
## ZS4555/ZS4045/ZS3246/ZS2646HD(HA/DC) Series Hydraulic Tray 1



## ZS4555/ZS4045/ZS3246/ZS2646HD(HA/DC) Series Hydraulic Tray 1

NO.	Material No.	Item and Spec	Units	Remark
1	1040102356	Screw M8×25-8.8	8	GB/T70.3-2000
2	00775602800601010	Limited post	1	
3	00775602800601030	Cushion rubber	1	
4	1040100519	Screw M12×80-8.8	1	GB/T70.1-2000
5	1040300054	Washer 12	1	GB/T93-1987
6	00775606300201030	Key switch gasket	1	
7	1040100106	Screw M4×10-4.8	2	GB/T818-2000
8	1040300044	Washer 4	4	GB/T93-1987
9	1040301697	Washer 4-160HV	4	GB/T97.1-2002
10	00775602801601040	Protecting bush II	1	
11	00775602800601040	Waterproof coverplate (ZS4555/4045/3246HD)	1	
12	00775702800420000	Hydraulic Tray box (ZS4555HD/ZS4555DC)	1	
	00775702870210000	Hydraulic Tray box (ZS4555HA)	1	
	00775602860210000	Hydraulic Tray box (ZS4045/3246/2646HA)	1	
	00775602800620000	Hydraulic Tray box (ZS4045/3246/2646DC ZS4045/3246HD)	1	
13	1020005103	DC motor 24V, 4.5KW (ZS4555/4045/3246/2646DC ZS4555/4045/3246HD)	1	
	1020005472	Hydraulic pump drive motor 24V,3.3KW (ZS4555/4045/3246/2646HA)	1	
14	00775602800601020	Motor support	1	
15	1040200867	Nut M5	4	GB/T889.1-2000
16	1040300048	Washer 5-200HV	6	GB/T97.1-2002

## ZS4555/ZS4045/ZS3246/ZS2646HD(HA/DC) Series Hydraulic Tray 1

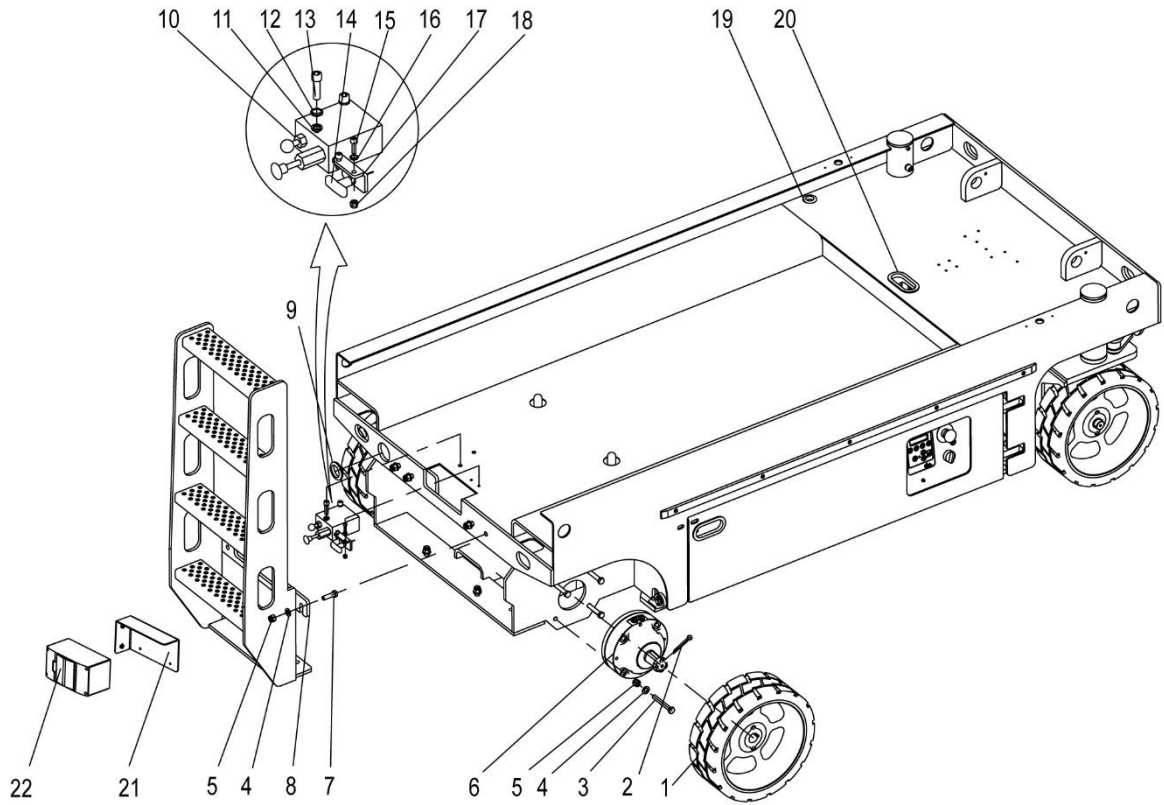


## ZS4555/ZS4045/ZS3246/ZS2646HD(HA/DC) Series Hydraulic Tray 1

NO.	Material No.	Item and Spec	Units	Remark
17	1040100378	Screw M5×20-8.8	4	GB/T70.1-2000
18	1040300067	Washer 10	2	GB/T93-1987
19	1040004607	Bolt 3/8-24UNF-1-10.	2	ASME B18.2.1-2010
20	1040200503	Nut M8-8	8	GB/T889.1-2000
21	1010001904	Gear pump (ZS4555/ZS4045/ZS3246/ ZS2646HD(HA/DC) Series)	1	5cc-PGP511A0050 AA1H2ND4D3B1B1
	1010001885	Hydraulic pump (ZS2646DC Series)	1	4cc-PGP505A0040 AA1H2ND4D4B1B1
22	1011300151	Tank	1	
23	1040101606	Screw M8×12-8.8	4	GB/T70.3-2000
24	1010305936	Control valve (ZS4555/4045/3246HD ZS4555/4045/3246/2646HA)	1	
	1010306182	Control valve (ZS4555/4045/3246HD-Li ZS4555/4045/3246/2646HA-Li)	1	
	1010306187	Control valve (ZS4555/4045/3246/2646DC)	1	
	1010306289	Control valve (ZS4555/4045/3246/2646DC-Li)	1	
25	1040000267	Bolt M8×20-8	6	GB/T5783-2000
26	1040300066	Washer 8-200HV	8	GB/T97.1-2002
27	00775605200801010	Valve support (仅 ZS4555/4045/3246HD Series)	1	
28	1040300063	Washer 8	4	GB/T93-1987
29	1040004517	Bolt M8×16-8.8	4	GB/T5783-2000
30	1029804041	Screw M4×25-4.8	2	GB/T70.1-2000
31	1020104088	Ground control assembly	1	
32	1020521389	Key switch	1	
33	1020304979	Breaker	1	
34	1020502039	Emergency stop button	1	

## ZS4555/ZS4045/ZS3246/ZS2646HD(HA) Series Ladder

CHASSIS

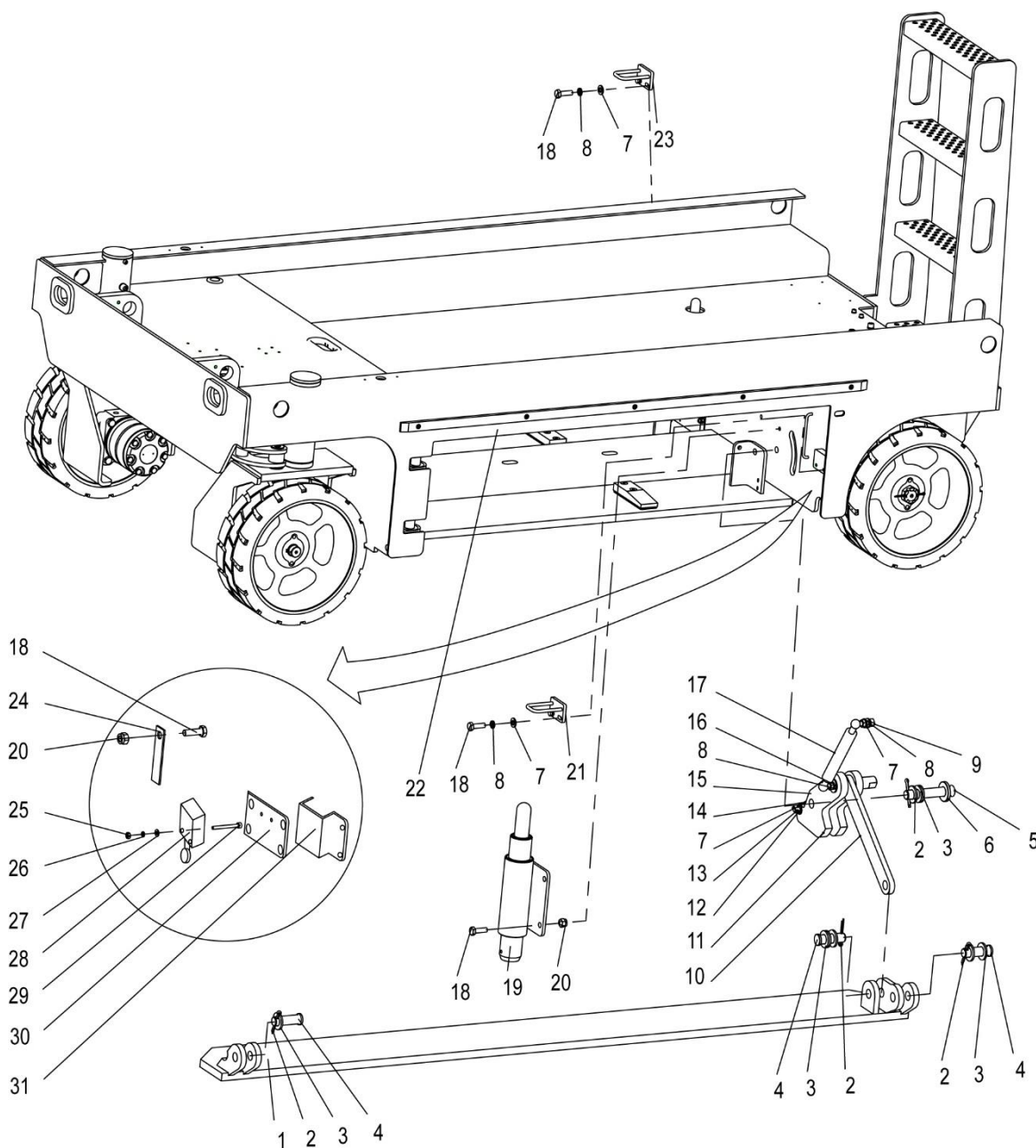


## ZS4555/ZS4045/ZS3246/ZS2646HD(HA) Series Ladder

NO.	Material No.	Item and Spec	Units	Remark
1	1030800538	Tire	2	
2	1040500535	Split pin 4×80	2	GB/T91-2000
3	1040000126	Bolt M12×100-8.8	8	GB/T5782-2000
4	1040300526	Washer 12	14	GB/T97.1-2002
5	1040200507	Nut M12-8	14	GB/T889.1-2000
6	1019901335	Brake	2	
7	1040004201	Bolt M12×40-8.8	6	GB/T5783-2000
8	00775602803200000	Ladder	1	
	00775402850200000	Ladder (ZS2646HA)	1	
9	00775602801601010	Coil III	1	
10	1010305937	Manual pump	1	
11	1040300067	Washer 10	2	GB/T93-1987
12	1040300061	Washer 10	2	GB/T97.1-2002
13	1040000970	Screw 3/8-16UNC-30-8.8	2	
14	1100700162	T handle (Red)	1	
15	1040100055	Screw M6×20-8.8	2	GB/T70.1-2000
16	1040300051	Washer 6	2	GB/T97.1-2002
17	00775605200401030	Lower stay wire bracket	1	
18	1040200506	Nut M6-8	2	GB/T889.1-2000
19	00775602800001180	Coil II	2	
20	00775602801601040	Protecting bush II	1	
21	00775302802400000	Box holder	1	
22	1020605443	Residual current circuit breaker	1	

### ZS4045/ZS3246/ZS2646 Series Pothole Guard

CHASSIS



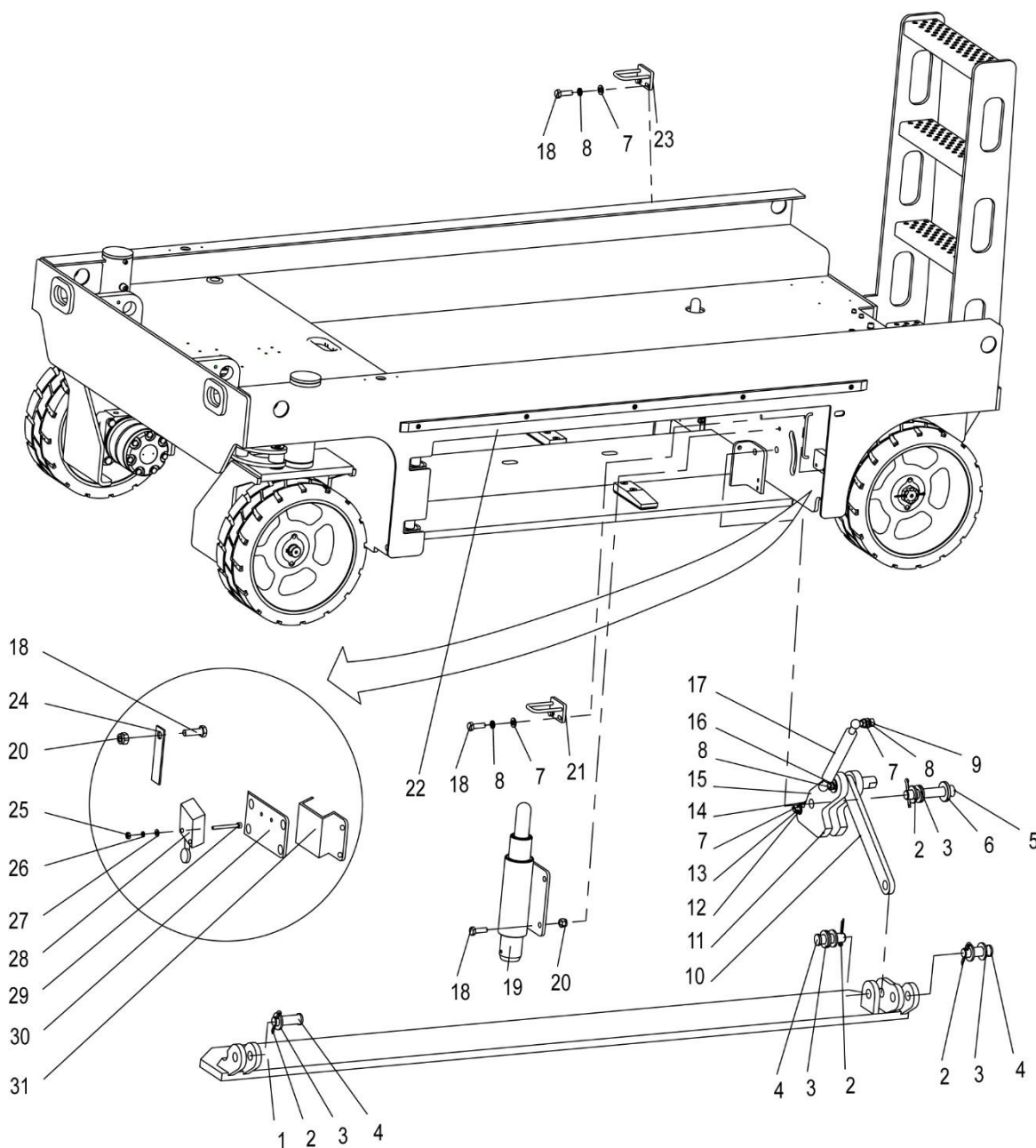
## ZS4045/ZS3246/ZS2646 Series Pothole Guard

NO.	Material No.	Item and Spec	Units	Remark
1	00775602802000000	Left pothole plate.	1	
2	1040500054	Split pin 4×40	8	GB/T91-2000
3	1040300052	Washer 16	12	GB/T97.1-2002
4	1040501520	Pin B16×50	6	GB/T882-2000
5	1040500111	Pin B16×90	2	GB/T882-1986
6	00775602800001130	Crank gasket	2	
7	1040300066	Washer 8-200HV	4	GB/T97.1-2002
8	1040300063	Washer 8	4	GB/T93-1987
9	1040201078	Nut M8	2	GB/T6170-2000
10	00775602800001080	Crank linkage	2	
11	00775602801400000	Crank	2	
12	1040500383	Pin B8×50	2	GB/T882-1986
13	1040500212	Split pin 3.2×20	2	GB/T91-2000
14	00775602800001060	Crank trolley	2	
15	00775602800001070	Crank Pin	2	
16	1040300094	Washer 8-140HV	2	GB/T96.1-2002
17	1110100353	Gas spring	2	
18	1040000288	Bolt M8×25	10	GB/T5783-2000
19	00775602801200000	Guide mechanism	2	
20	1040200503	Nut M8-8	10	GB/T889.1-2000



### ZS4045/ZS3246/ZS2646 Series Pothole Guard

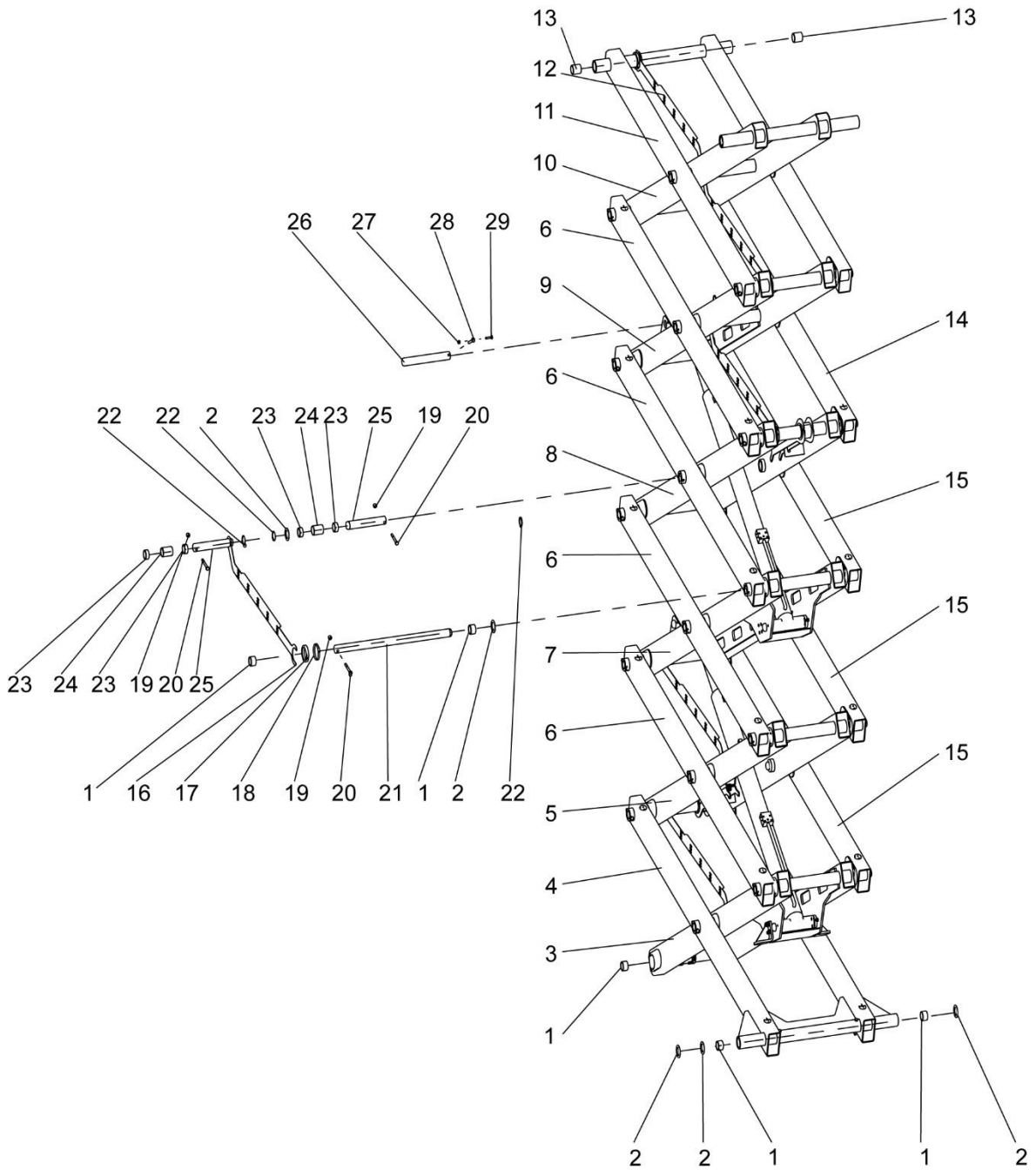
CHASSIS



## ZS4045/ZS3246/ZS2646 Series Pothole Guard

NO.	Material No.	Item and Spec	Units	Remark
21	00775602803000000	Tray lock seat I	1	
22	00775602802200000	Right pothole plate	1	
23	00775602802800000	Tray lock seat II	1	
24	1020705980	Conduction band	2	
25	1040200100	Nut M4-8	4	GB/T6170-2000
26	1040300044	Washer 4	4	GB/T93-1987
27	1040301697	Washer 4-160HV	4	GB/T97.1-2002
28	1020520944	Limit switch (ZS4045/3246/2646DC ZS4045/3246/2646HA)	2	
	1020521804	Limit switch (ZS4045/3246/2646AC ZS4045/3246/2646HD)	2	
29	1040101189	Screw M4×40-8.8	4	GB/T70.1-2000
30	00775606300201050	Switch plate	2	
31	00775606300201060	Switch shield	2	

## ZS4045 Series Scissor Arm Pin



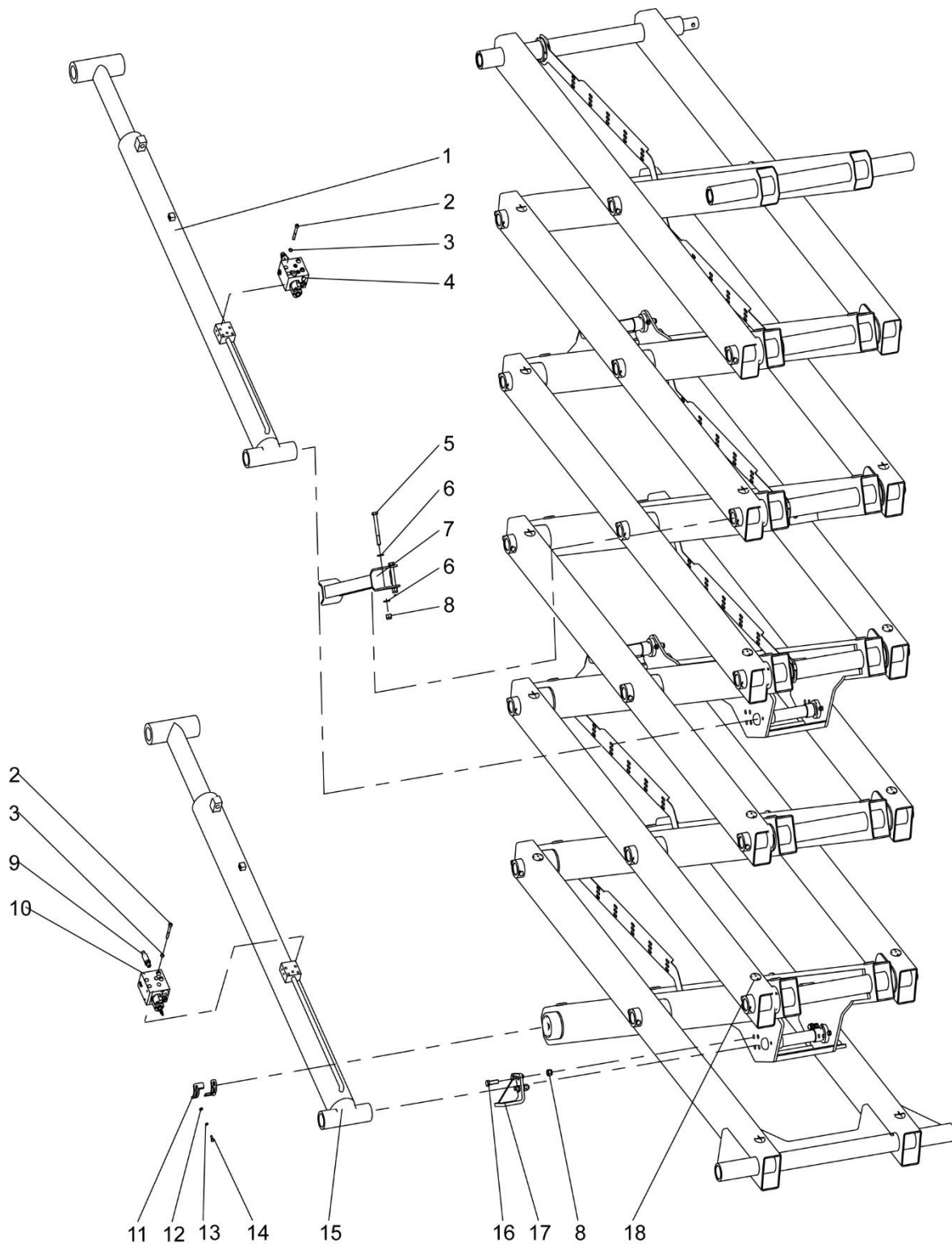
SCISSOR ARM

## ZS4045 Series Scissor Arm Pin

NO.	Material No.	Item and Spec	Units	Remark
1	1054400310	Composite bush 44×38×30	36	
2	00775600300001140	Gasket	20	
3	00775600300400000	Internal scissor arm I	1	
4	00775600300200000	External scissor arm I	1	
5	00775600301000000	Internal scissor arm II	1	
6	00775600300600000	External scissor arm II	4	
7	00775600301200000	Internal scissor arm III	1	
8	00775600301400000	Internal scissor arm IV	1	
9	00775600301800000	Internal scissor arm V	1	
10	00775600302200000	Internal scissor arm VI	1	
11	00775600302400000	External scissor arm VI	1	
12	00775600300001080	End pipe trunking II	3	
13	1054400309	Composite bush 44×38×50	4	
14	00775600302800000	External scissor arm VII	1	
15	00775600300800000	External scissor arm III	3	
16	00775600300001070	End pipe trunking I	3	
17	00775600300001100	Nylon cover II	18	
18	1990201051	Clamp φ60-φ80	9	
19	1040200504	Nut M10-8	20	GB/T889.1-2000
20	1040000025	Bolt M10×80-8.8	20	GB/T5782-2000
21	00775600300001010	Axle I	12	
22	1040300984	Retaining ring 38	20	GB/T894.1-1986
23	1054400311	Composite bush 44×38×20	16	
24	00775600300001120	Spacer, bearing	8	
25	00775600300001020	Axle II	8	
26	00775600300001040	Axle IV	4	
27	1040200503	Nut M8-8	4	GB/T889.1-2000
28	00775600000001050	Articulated pin	4	
29	1040000689	Bolt M8×35-8.8	4	GB/T5782-2000

## ZS4045/ZS3246 Series Scissor Arm Accessory

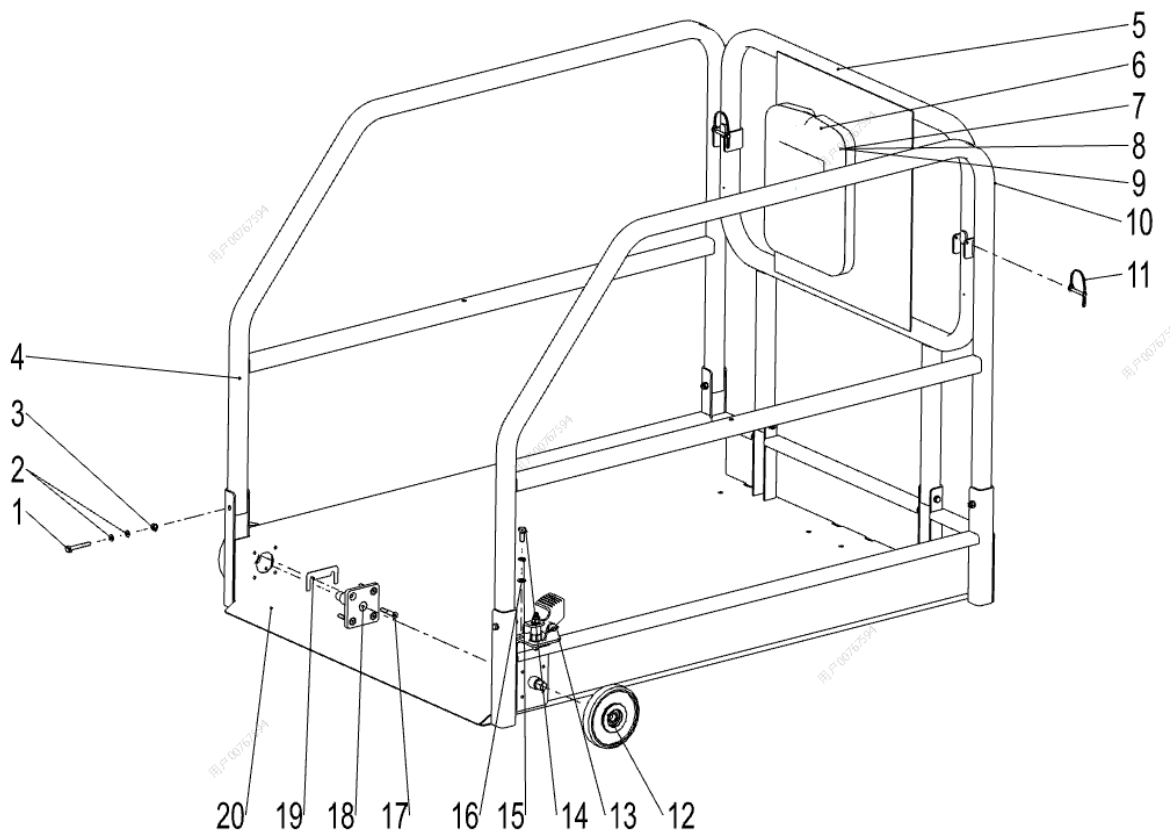
SCISSOR ARM



## ZS4045/ZS3246 Series Scissor Arm Accessory

NO.	Material No.	Item and Spec	Units	Remark
1	1010201628	Upper lift cylinder	1	
2	1040102034	Screw M8×60-10.9	8	GB/T70.1-2000
3	1040300063	Washer 8	8	GB/T93-1987
4	1010306627	Cylinder control valve (ZS4045HD/ZS4045DC/ ZS4045HA/ZS4045AC)	1	
	1010306625	Cylinder control valve (ZS4045HD-Li/ZS4045DC-Li ZS4045HA-Li/ ZS4045AC-Li)	1	
	1010306629	Cylinder control valve (ZS3246HD/ZS3246DC/ ZS3246HA/ZS3246AC)	1	
	1010306626	Cylinder control valve (ZS3246HD-Li/ZS3246DC-Li ZS3246HA-Li/ZS3246AC-Li)	1	
5	1040000126	Bolt M12×100-8.8	4	GB/T5782-2000
6	1040300526	Washer 12	8	GB/T97.1-2002
7	00775700302400000	Safety arm	2	
8	1040200507	Nut M12-8	12	GB/T889.1-2000
9	1021403993	Pressure sensor	1	
10	1010307396	Cylinder control valve	1	
11	00775600000001030	Limit block	2	
12	1040300051	Washer 6-200HV	6	GB/T97.1-2002
13	1040300062	Washer 6	6	GB/T93-1987
14	1040100620	Screw M6×16	6	GB/T818-2000
15	1010201629	Lower lift cylinder	1	
16	1040000101	Bolt M12×40-8.8	8	GB/T5782-2000
17	00775600302600000	Pressing plate	2	
18	00775600300001110	Plastic pad (ZS4045series)	40	
	00775600300001110	Plastic pad (ZS3246series)	32	

## ZS4555/ZS4045/ZS3246/ZS2646 Series Extension Deck Installation

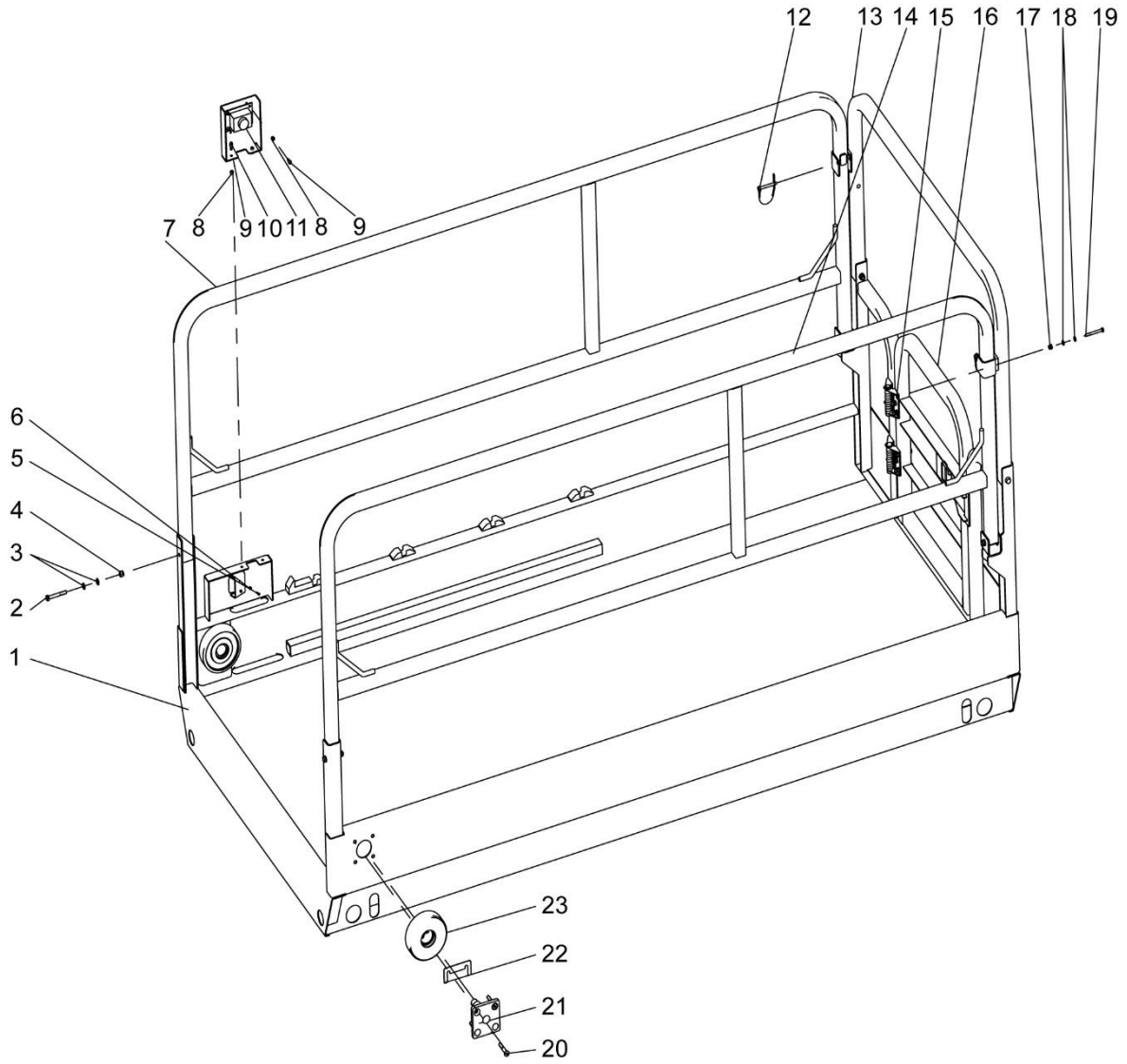


## ZS4555/ZS4045/ZS3246/ZS2646 Series Extension Deck Installation

NO.	Material No.	Item and Spec	Units	Remark
1	1040000156	Bolt M8×60	6	GB/T5783-2000
2	1040300066	Washer 8	12	GB/T97.1-2002
3	1040200503	Nut M8-8	6	GB/T889.1-2000
4	0077560010060000	Guard rails I	1	
5	00775600101400000	Guard rails III	1	
6	1999904986	Storage box	1	
7	1040102341	Screw M5×12-8.8	4	GB/T70.1-2000
8	1040300048	Washer 5	4	GB/T97.1-2002
9	1040200867	Nut M5	4	GB/T889.1-2000
10	00775600101200000	Guard rails II	1	
11	1100400025	D Pin 6.3×55	2	
12	00775600102600000	Pulley assembly	2	
13	00775600100800000	Pedal	1	
14	1040000114	Bolt M10×25	2	GB/T5783-2000
15	1040300067	Washer 10	2	GB/T93-1987
16	1040300061	Washer 10	2	GB/T97.1-2002
17	1040102718	Screw M8×50	8	GB/T70.1-2000
18	00775600102400000	Platform pin mounting base	2	
19	00775600100001020	Gasket I	2	
20	00775600101600000	Lower components	1	



## ZS4045/ZS3246/ZS2646 Series Platform Installation

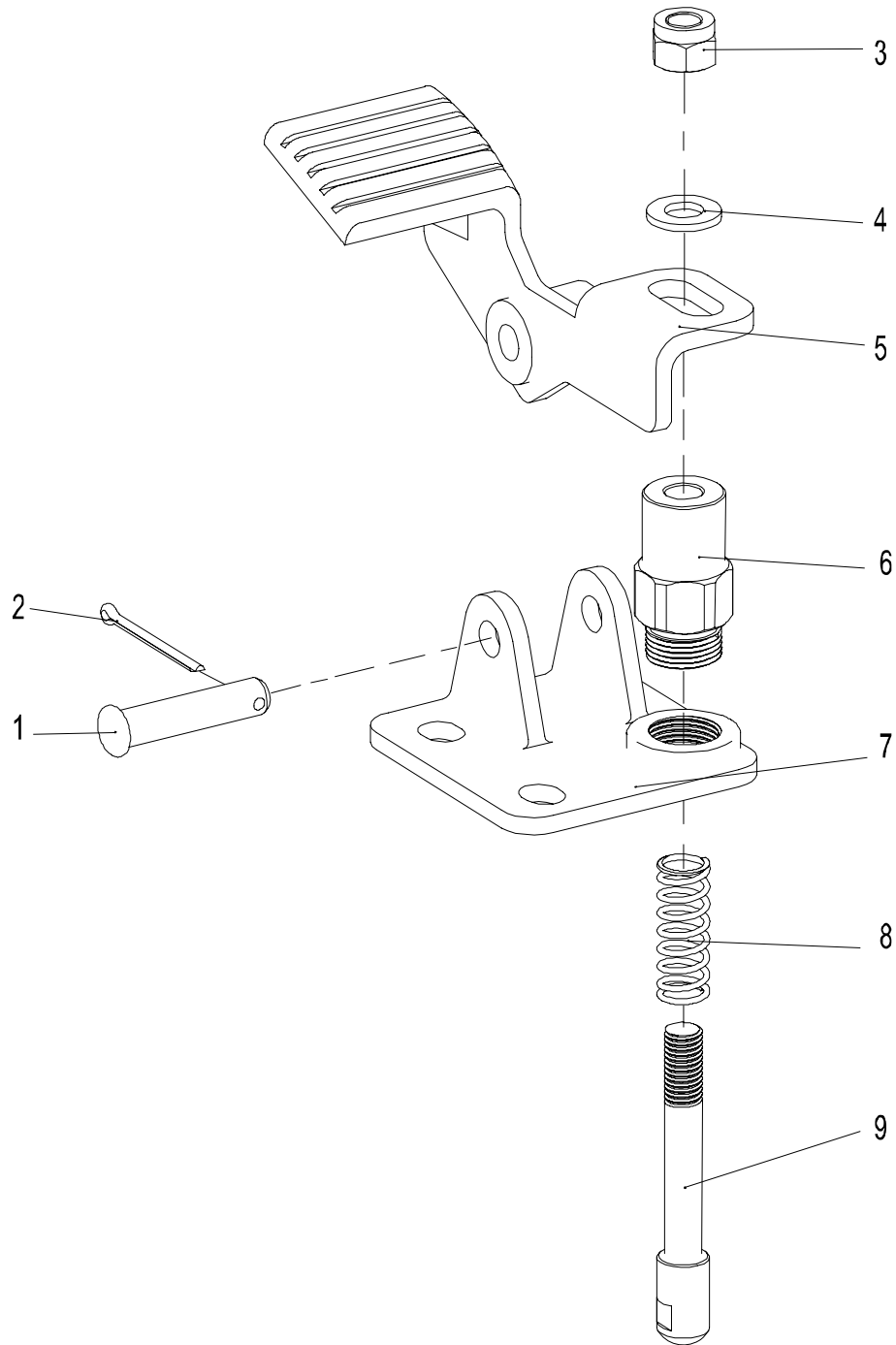


WORK PLATFORM

## ZS4045/ZS3246/ZS2646 Series Platform Installation

NO.	Material No.	Item and Spec	Units	Remark
1	00775600102800000	Lower components	1	
2	1040000156	Bolt M8×60	6	GB/T5783-2000
3	1040300066	Washer 8	12	GB/T97.1-2002
4	1040200503	Nut M8-8	6	GB/T889.1-2000
5	1040101640	Screw M3×10-A2-70	2	GB/T818-2000
6	1040201166	Nut M3-A2-70	4	GB/T6170-200
7	00775600101000000	Guard rails II	1	
8	1040200867	Nut M5	6	GB/T889.1-2000
9	00775606300801010	Power mounting plate	1	
10	1040102341	Screw M5×12-8.8	6	GB/T70.1-2000
11	00775606630400000	Platform AC assembly (ZS4045Series)	1	
	00775506630200000	Platform AC assembly (ZS3246Series)	1	
	007754065C0430010	Platform AC assembly (ZS2646Series)	1	
12	1100400025	D Pin 6.3×55	2	
13	00775600102000000	Guard rails III	1	
14	00775600100400000	Guard rails I	1	
15	1101000163	Spring hinge	2	
16	00775600101800000	Platform gate	1	
17	1040200506	Nut M6-8	12	GB/T889.1-2000
18	1040300051	Washer 6	24	GB/T97.1-2002
19	1040001185	Bolt M6×55-8.8	12	GB/T5783-2000
20	1040102718	Screw M8×50	8	GB/T70.1-2000
21	00775600102400000	Platform pin mounting base	2	
22	00775600100001020	Gasket I	2	
23	00775600102200000	Mounting pulley assembly	2	

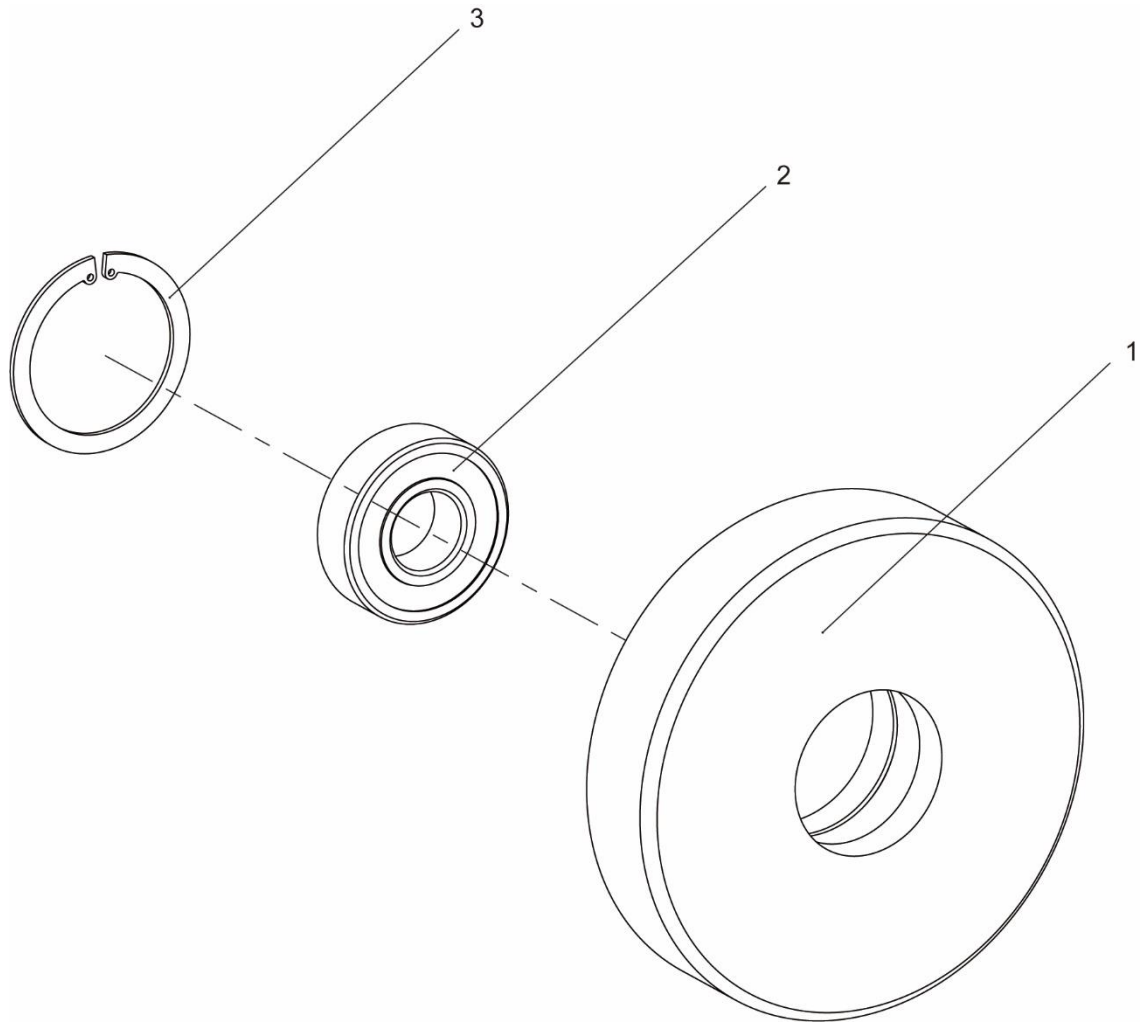
## Pedal Installation



**Pedal Installation**

NO.	Material No.	Item and Spec	Units	Remark
1	1040500606	Pin B10×45	1	GB/T882-2008
2	1040500214	Split pin 3.2×40	1	GB/T91-2000
3	1040200504	Nut M10-8	1	GB/T889.1-2000
4	1040300061	Washer 10	1	GB/T97.1-2002
5	00775600100801020	Pedal	1	
6	00775600100801040	Sleeve	1	
7	00775600100801050	Plate	1	
8	00775600100801030	Spring	1	
9	00775600100801060	Bayonet lock	1	

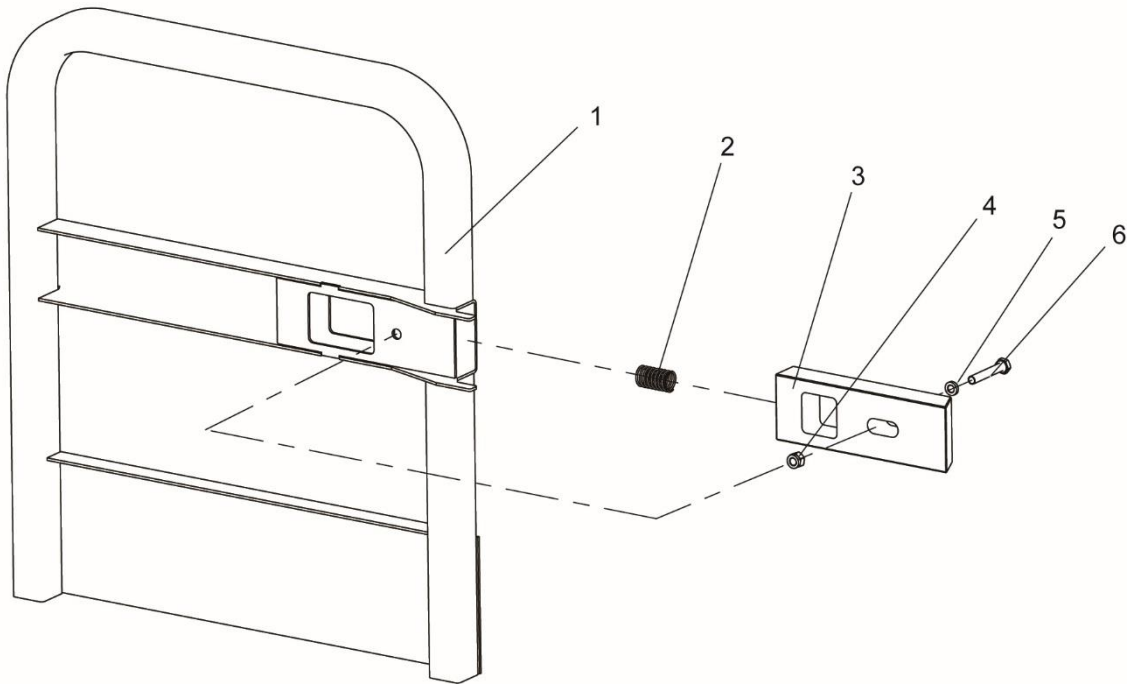
**Platform Pulley Installation**



**Platform Pulley Installation**

<b>NO.</b>	<b>Material No.</b>	<b>Item and Spec</b>	<b>Units</b>	<b>Remark</b>
1	1040300082	Retaining ring 47	1	GB/T893.1-1986
2	1050201257	Bearing 6204-2RS	1	GB/T276-1994
3	00775600102201010	Platform mounting pulley	1	

Platform Gate

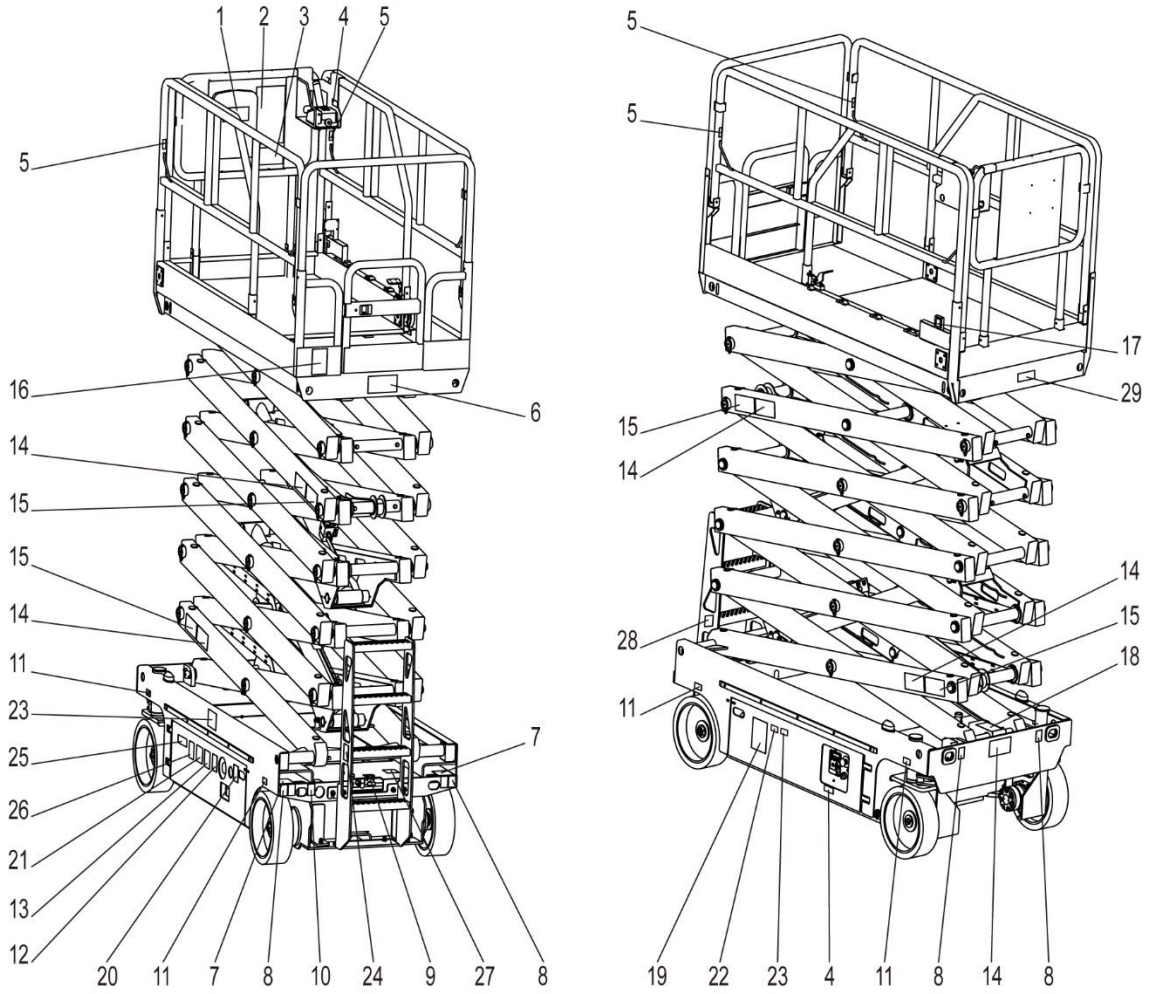


**Platform Gate**

NO.	Material No.	Item and Spec	Units	Remark
1	00775600101810000	Platform Gate Weldment	1	
	00775200101010000	Platform Gate Weldment (ZS1530 Series only)	1	
2	00775600101801020	Spring	1	
3	00775600101801010	Key cylinder	1	
4	1040200503	Nut M8-8	1	GB/T889.1-2000
5	1040300066	Washer 8	1	GB/T97.1-2002
6	1040000469	Bolt M8×55	1	GB/T5783-2000



## ZS4045 Series Decal Installation



### ZS4045 Series Decal Installation

NO.	Material No.	Item and Spec	Units	Remark
1	00775307080402040	Label- Store the Operation and Safety Manual	1	
2	00775207010403010	Label- Safety Rules	1	
3	00775207010403070	Danger- Tip-over Hazard	1	
4	00775307080402030	Label- Read the Instructions Carefully	2	
5	00775307080202090	Label- Lanyard Anchorage Point	4	
6	00775607010201020	Label- Capacity, 350kg	1	
7	00775307080202210	Label- Forklift Hole	2	
8	00775307080202010	Label- Lifting and tying	4	
9	00775307080402150	Label- Emergency Lowering	1	
10	00775307080401050	Label- AC Power to Platform	1	
11	00775607010401030	Label- Wheels Load, 1280kg	4	
12	00775307080402110	Instruction- Main Power Switch Operation	1	
13	00775307080402060	Danger- Explosion and Fire Hazard	1	
14	00775307040401040	Danger- Crushing Hazard	5	
15	00775307040401050	Label- Safety Arm	4	
16	00775307080402170	Label- Max Manual Force	1	
17	00775307080401060	Label- Platform Power Rated Voltage	1	
18	00775307040401100	Danger- Tip-over Hazard	1	
19	00775307080402130	Label- Pre-operation Inspection	1	
20	00775307080202140	Label- Charger Power Supply	1	
21	00775207020201020	Label- Lithium-ion Battery (ZS4045HD/DC/HA/AC-Li only)	2	
22	00775307080401040	Label- High pressure liquid hazard	1	
23	00775307040401070	Label- Notice, Close tray	2	
24	00775307040401060	Label- Use safety arm	1	
25	00775307080401020	Label- Electrocution hazard	1	
26	00775307010402050	Label- Battery tray quality warranty	1	
27	00775307020401010	Label- Brake release (ZS4045HD/HA/HD-Li/HA-Li only)	1	
28	00775609900401040	Nameplate	1	
29	00775307080401080	Label- non-insulated	1	